

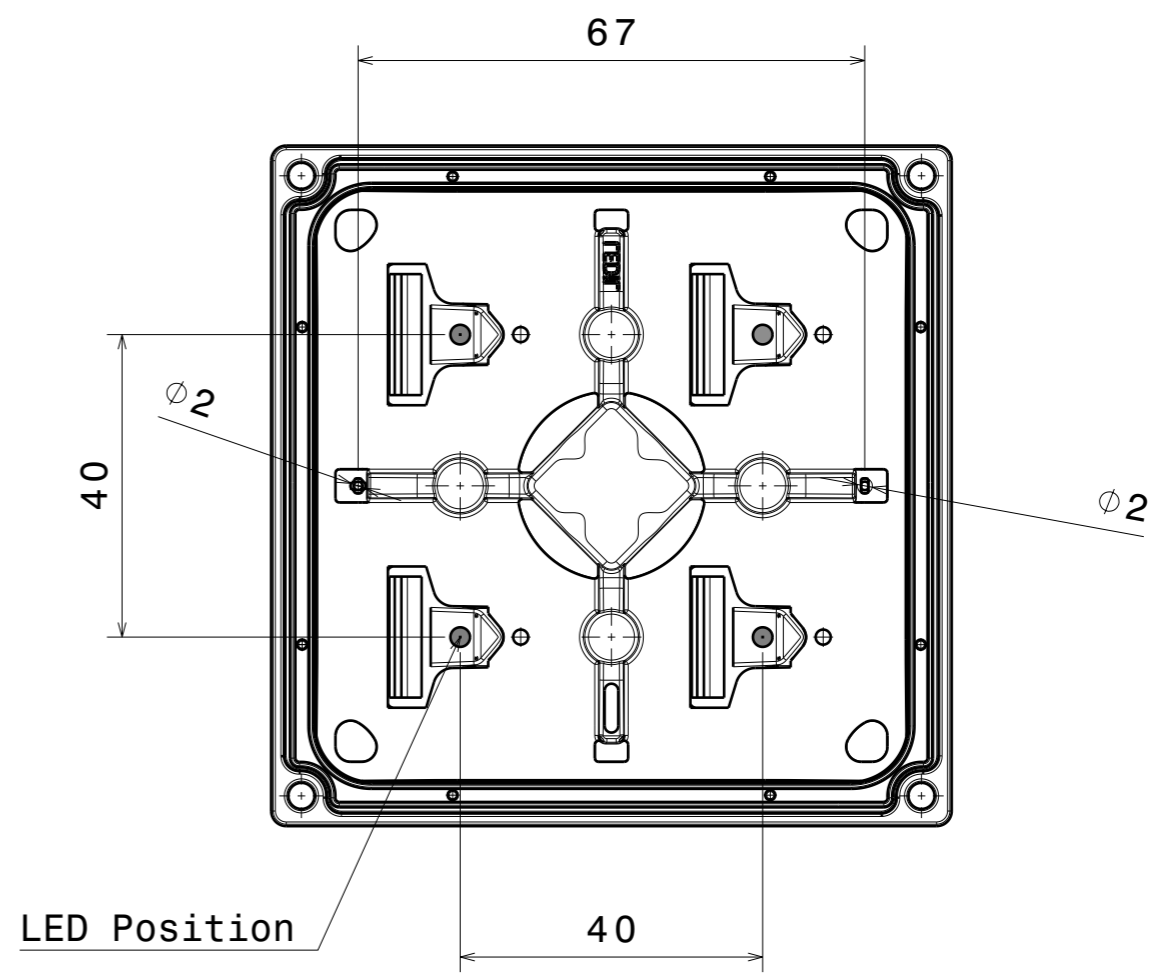
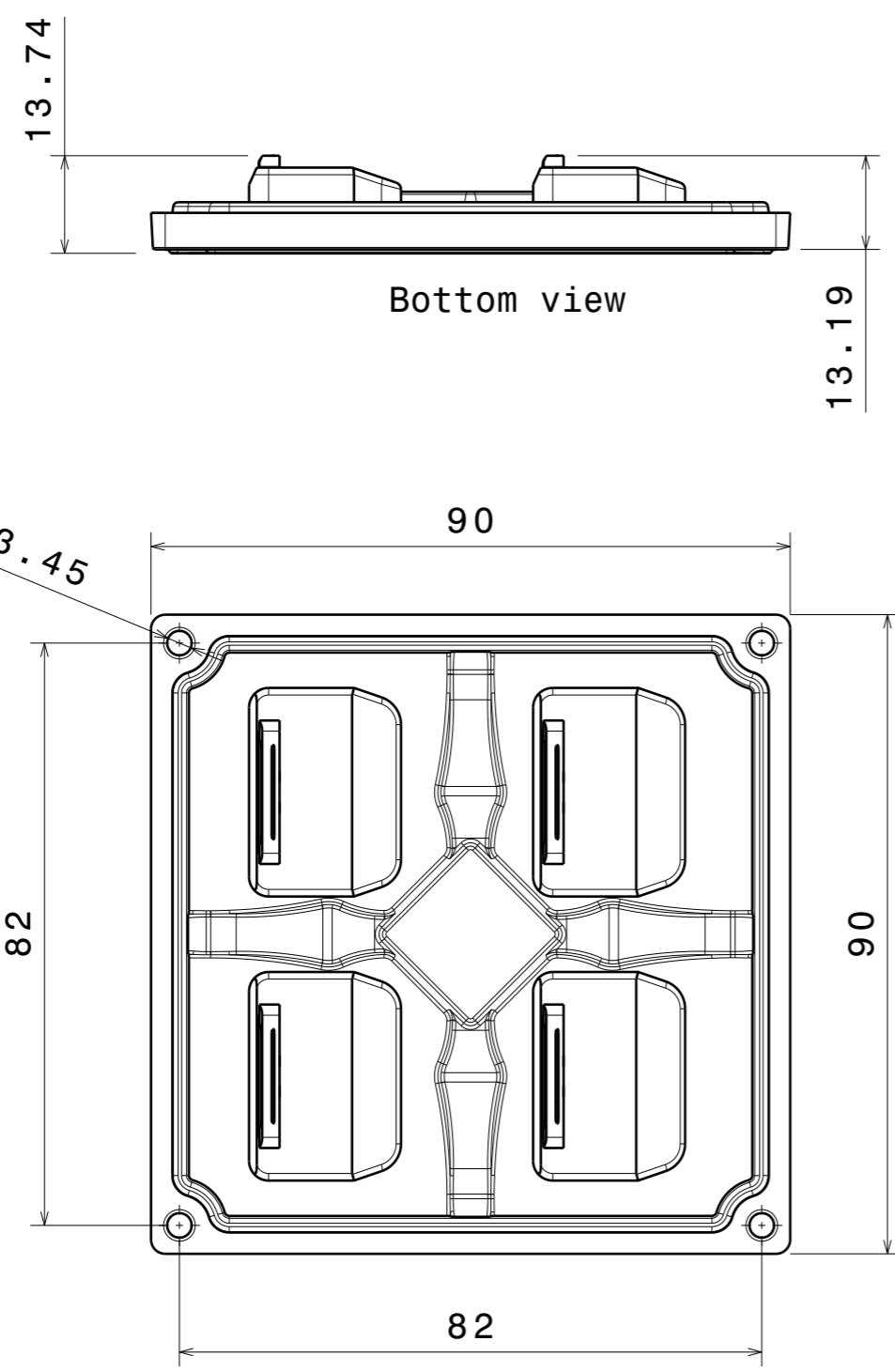
DETAILS

Product Number	CS14632_STRADA-2X2MX-DWC
Family	STRADA
Type	Assembly
Color	clear
Diameter	90x90 mm
Height	11,13 mm
Style	square
Optic Material	PMMA
Holder Material	
Fastening	screw
Status	ready
ROHS Compliant	Yes
Date Updated	22/05/2015



OPTICAL PROPERTIES

LED	Viewing Angle	Light Beam	Efficiency	cd/lm	Connector
XHP50	sim: Asymmetri	Streetligh...	-	sim: 0.000	-
LUXEON MZ	sim: Asymmetri	Streetligh...	-	sim: 0.000	-
LUXEON M	Asym deg	Streetligh...	94 %	0.610	-
XHP70	sim: Asymmetri	Streetligh...	-	sim: 0.000	-



INDEX	PART NO	DESCRIPTION	MATERIAL	COLOUR
1	C14630	STRADA-2X2MX-DWC	PMMA	
2	C14631	STRADA-2X2MX-SEAL	Silicone	

Tolerances if not otherwise shown
 According to DIN ISO 2768-1
 Linear measures:
 up to 30mm class M, otherwise class C
 According to DIN ISO 2768-2
 Form and position: class L

LEDiL Ledil Oy
 Salorankatu 10
 FIN 24240 SALO
 Finland

THIRD ANGLE PROJECTION:

DRAWING TITLE
CS14632_STRADA-2X2MX-DWC

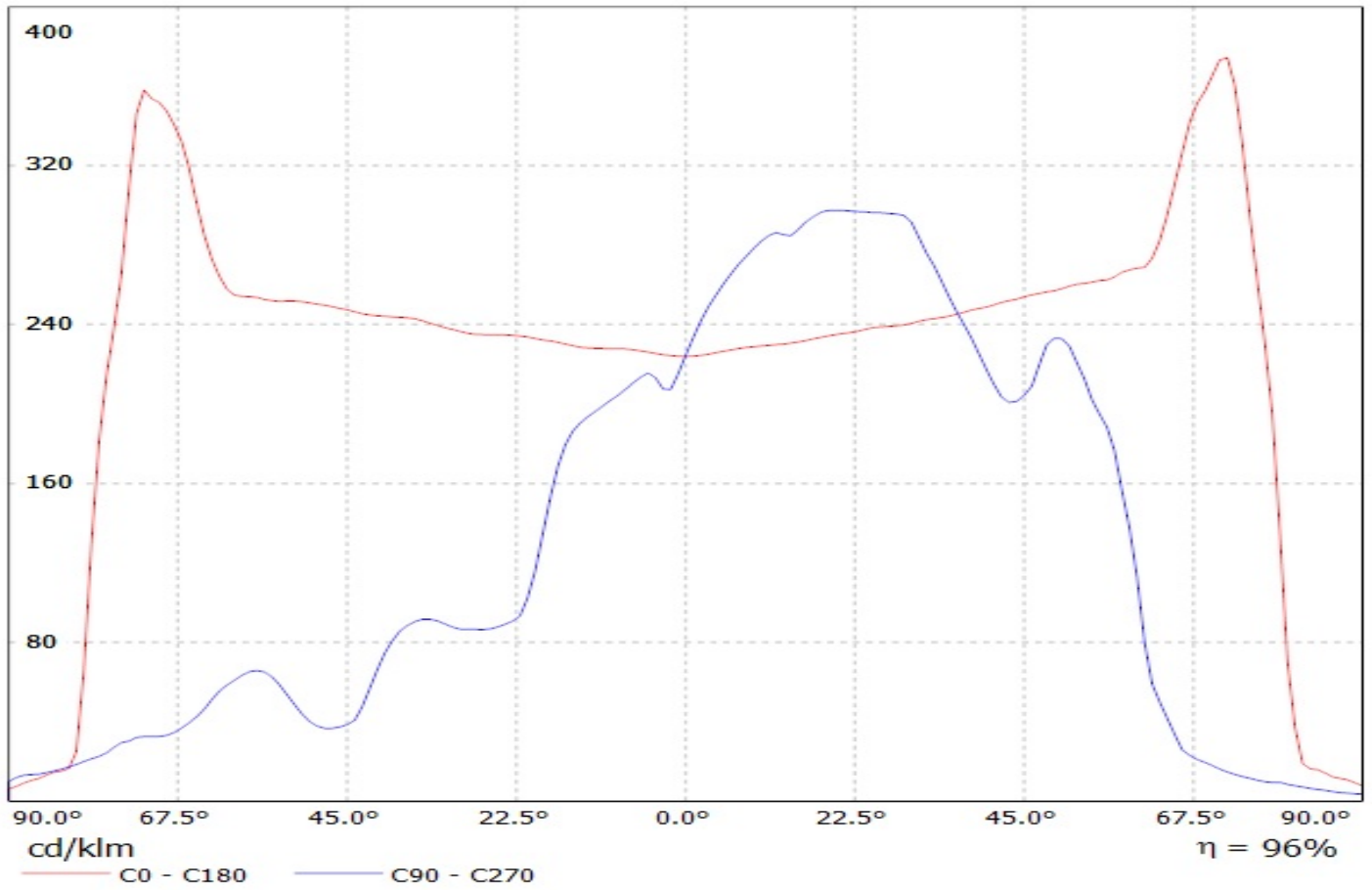
This drawing is the property
 of LEDiL Oy. It may not be
 reproduced, copied or
 communicated without a written
 agreement with LEDiL Oy.

SIZE	PART NUMBER
A3	CS14632

SCALE	1:1	WEIGHT	30,85 g	SHEET	1/1
-------	-----	--------	---------	-------	-----

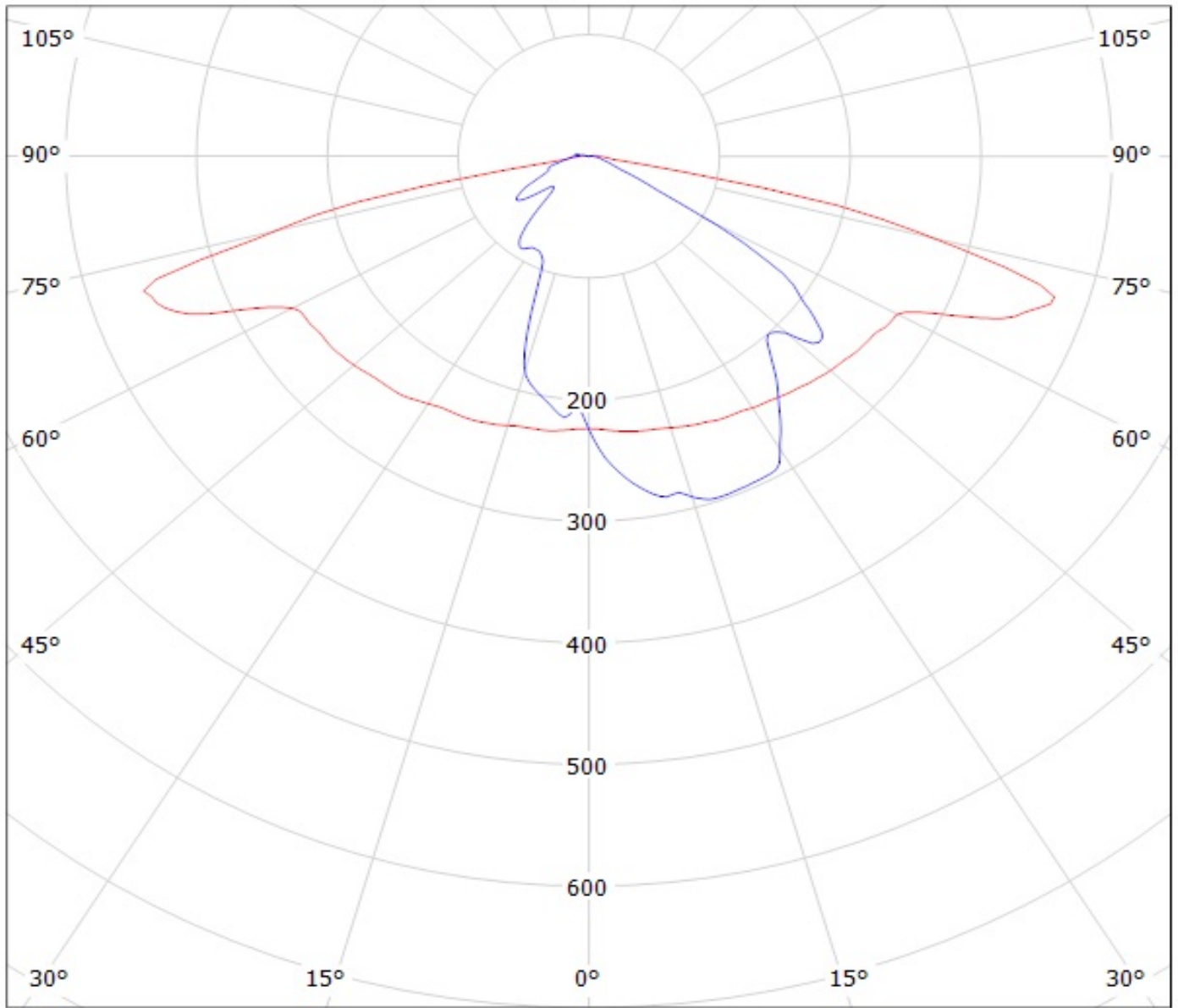
Luminaire: LEDiL Oy CS14632_STRADA-2X2MX-DWC (Luxeon_M)

Lamps: 1 x Luxeon_M_(LXM8-SW30)_ (2x2MX)_ 1410.8lm@250mA_P=11.0012W_I=0.2498A



Luminaire: LEDiL Oy CS14632_STRADA-2X2MX-DWC_(Luxeon_M)

Lamps: 1 x Luxeon_M_(LXM8-SW30)_(2x2MX)_1410.8lm@250mA_P=11.0012W_I=0.2498A



cd/klm

— C0 - C180

— C90 - C270

$\eta = 96\%$

NOTE: The typical divergence will be changed by different color, chip size and chip position tolerance. The typical total divergence is the full angle measured where the luminous intensity is half of the peak value.