

D

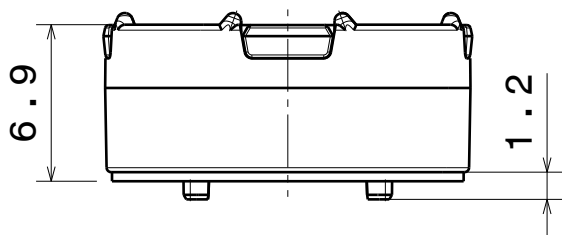
C

B

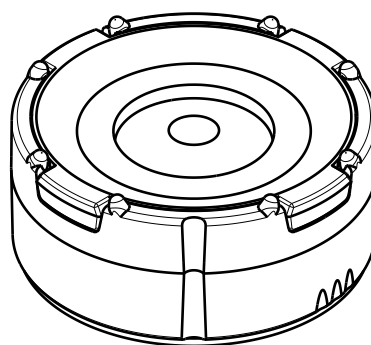
A

4

4

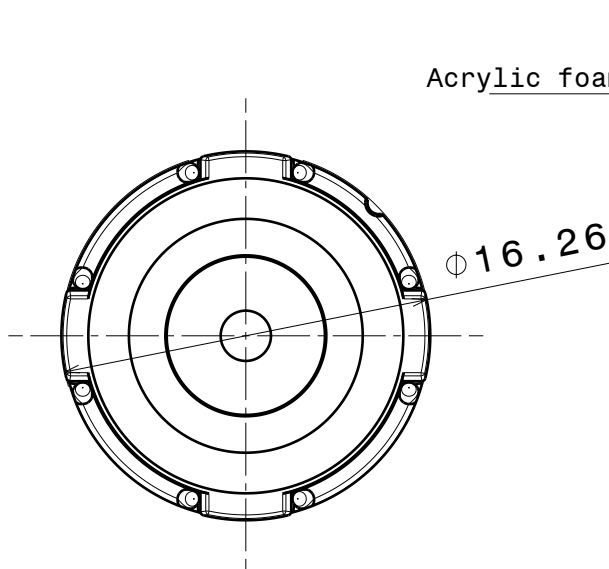


Front view

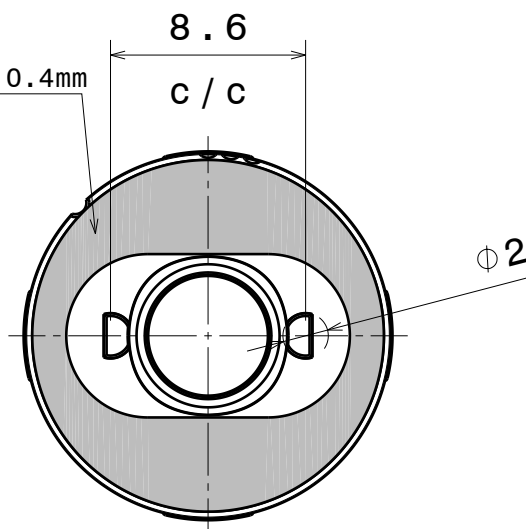
Isometric view
Scale: 3:1

3

3



Top view



Bottom view

2

2

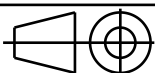
INDEX	PART NO	DESCRIPTION	MATERIAL	COLOUR
1	F11823	TINA3-HLD-PIN-TAPE-XP	PC	white
2	F11865	TINA3-W	PMMA	

Tolerances if not otherwise shown
According to DIN ISO 2768-1
Linear measures:
Up to 30mm class M, otherwise class C.
According to DIN ISO 2768-2
Form and position: class L

LEDiL

Ledil Oy
Salorankatu 10
FIN 24240 SALO
Finland

THIRD ANGLE PROJECTION:



DRAWING TITLE

FA11902_TINA3-W

This drawing is the property
of LEDiL Oy. It may not be
reproduced, copied or
communicated without a written
agreement with LEDiL Oy.

SIZE PART NUMBER

A4

FA11902

SCALE

3:1

WEIGHT

1,4 g

SHEET

1/1

D

A

1

1