



PRODUCT DATASHEET

Ida series

last update 9/3/2015

DETAILS

Product Number	CP14612_IDA16-M
Family	Ida
Type	Assembly
Color	black
Diameter	49,7 + 49,5 mm
Height	9,2 mm
Style	square
Optic Material	PMMA
Holder Material	PC
Fastening	clips
Status	ready
ROHS Compliant	Yes
Date Updated	9/03/2015



OPTICAL PROPERTIES

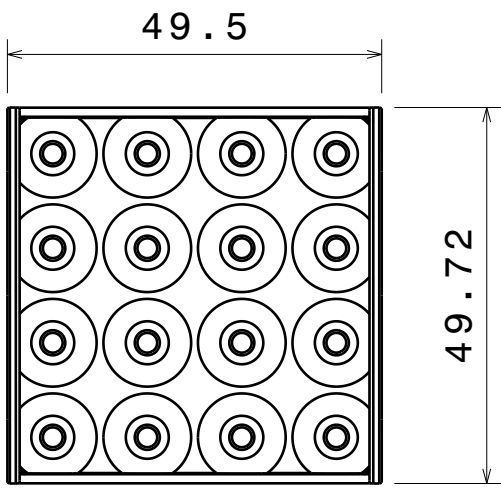
LED	Viewing Angle	Light Beam	Effi- ciency	cd/lm	Connector
Duris S5 (2 chip)	sim: 40	Medium	sim: 92 %	sim: 0.000	-

D

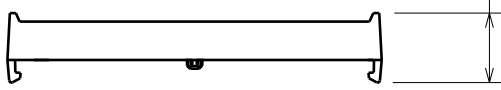
C

B

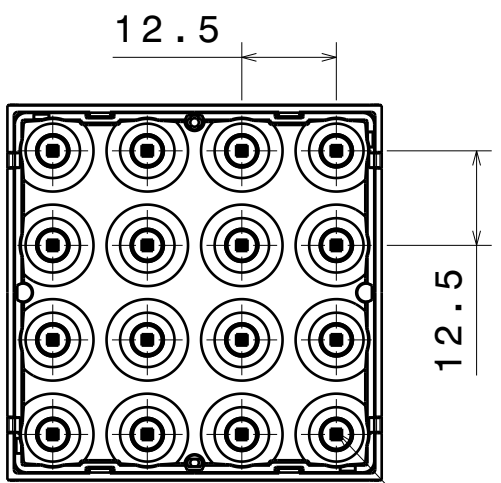
A



Top view

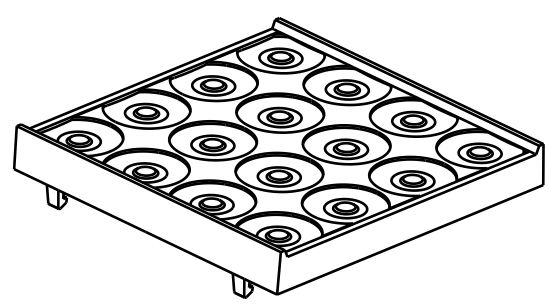
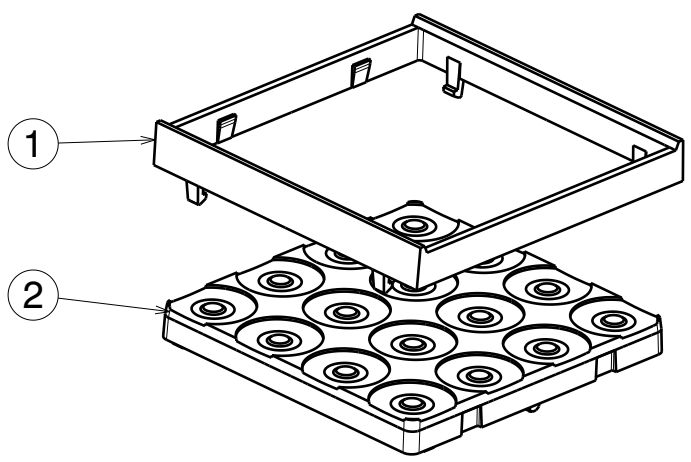


Front view



Bottom view

LED position



Isometric view
Scale: 1:1

INDEX	PART NO	DESCRIPTION	MATERIAL	COLOUR
1	C14537	IDA16-M	PMMA	Clear
2	C14538	IDA16-HLD-16	PC	grey

Tolerances if not otherwise shown
According to DIN ISO 2768-1
Linear measures:
up to 30mm class M, otherwise class C
According to DIN ISO 2768-2
Form and position: class L

LEDiL LediL Oy
Salorankatu 10
FIN 24240 SALO
Finland

THIRD ANGLE PROJECTION:

DRAWING TITLE
CP14612_IDA16-M

This drawing is the property of LEDiL Oy. It may not be reproduced, copied or communicated without a written agreement with LEDiL Oy.

SIZE	PART NUMBER
A4	CP14612

SCALE	1:1	WEIGHT	7,2 g	SHEET	1/1
-------	-----	--------	-------	-------	-----

D

A

NOTE: The typical divergence will be changed by different color, chip size and chip position tolerance. The typical total divergence is the full angle measured where the luminous intensity is half of the peak value.