



# PRODUCT DATASHEET

## Florence series

last update 5/12/2016

### DETAILS

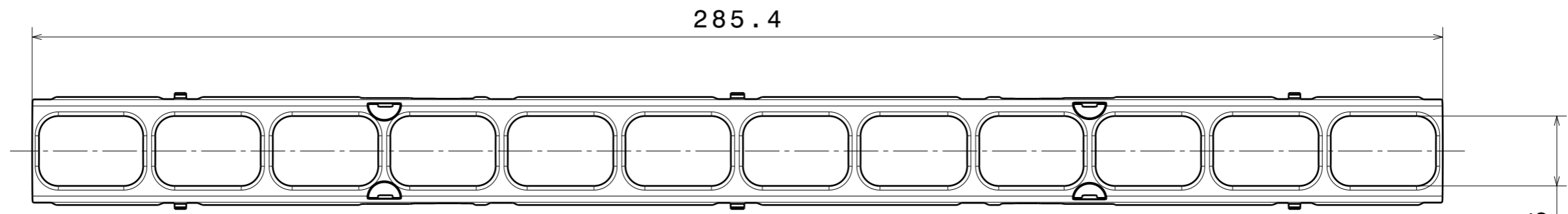
<b>Product Number</b>	C14593_FLORENCE-1R-SHD-BLK
<b>Family</b>	Florence
<b>Type</b>	Shade
<b>Color</b>	black
<b>Diameter</b>	285,9x23,51 mm
<b>Height</b>	9,9 mm
<b>Style</b>	rectang
<b>Optic Material</b>	
<b>Holder Material</b>	
<b>Fastening</b>	
<b>Status</b>	production ready
<b>ROHS Compliant</b>	Yes
<b>Date Updated</b>	5/12/2016



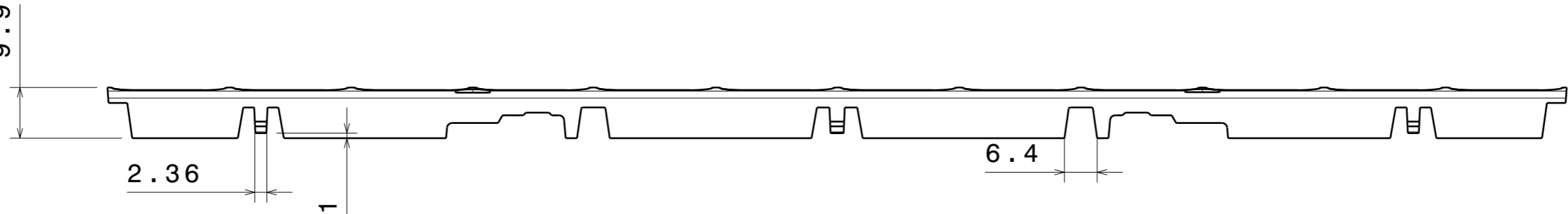
### OPTICAL PROPERTIES

LED	Viewing Angle	Light Beam	Efficiency	cd/lm	Connector
-	N/A deg	-	-	sim: 0.000	-

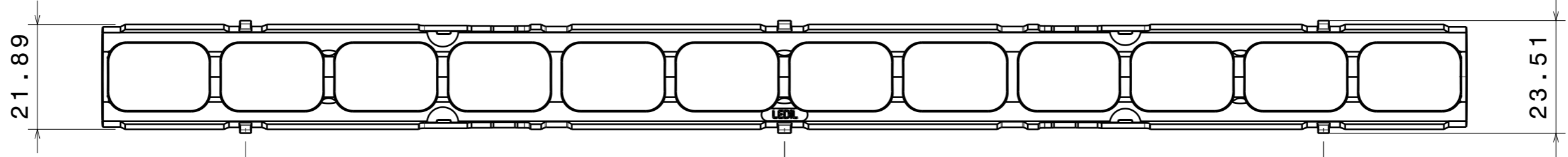
H G F E D C B A



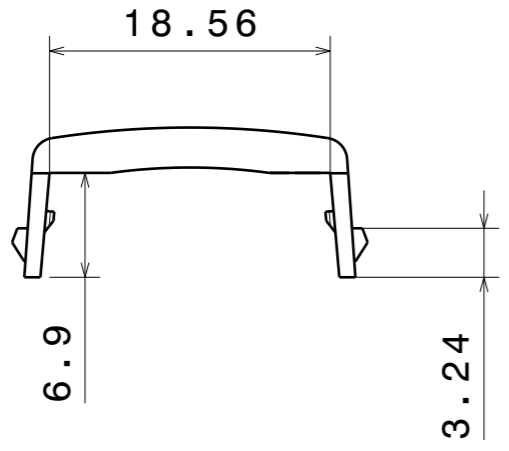
Top view



Side view



Bottom view



Front view

INDEX	PART NO	DESCRIPTION	MATERIAL	COLOUR
1	C14593	FLORENCE-1R-SHD-BLK	ABS	black

Tolerances if not otherwise shown  
 According to DIN ISO 2768-1  
 Linear measures:  
 Up to 30mm class M, otherwise class C.  
 According to DIN ISO 2768-2  
 Form and position: class L

**LEDiL** LediL Oy  
 Salorankatu 10  
 FIN 24240 SALO  
 Finland

THIRD ANGLE PROJECTION:

DRAWING TITLE  
**C14593\_FLORENCE-1R-SHD**

This drawing is the property of LEDiL Oy. It may not be reproduced, copied or communicated without a written agreement with LEDiL Oy.

SIZE	PART NUMBER
<b>A3</b>	<b>C14593</b>

SCALE	1:1	WEIGHT	8,97 g	SHEET	1/1
-------	-----	--------	--------	-------	-----

H G B A

**NOTE: The typical divergence will be changed by different color, chip size and chip position tolerance. The typical total divergence is the full angle measured where the luminous intensity is half of the peak value.**