

DETAILS

Product Number	C15985_STRADELLA-8-HV-HB-W
Family	Stradella
Type	Lens array
Color	clear
Diameter	49,5+49,5 mm
Height	7,12 mm
Style	rectang
Optic Material	PMMA
Holder Material	
Fastening	pin, screw
Status	production ready
ROHS Compliant	Yes
Date Updated	5/06/2017



OPTICAL PROPERTIES

LED	Viewing	Light	Effi-		Connector
	Angle	Beam	ciency	cd/lm	
XP-G3	sim: 94	Wide	sim: 91 %	sim: 0.430	-
XT-E	sim: 87	Wide	sim: 92 %	sim: 0.461	-
XD16	104 deg	Wide	94 %	0.350	-
LUXEON HR30	sim: 82	Wide	sim: 93 %	sim: 0.530	-
LUXEON 3535L HE	sim: 80	Wide	sim: 94 %	sim: 0.540	-
LUXEON 3030 2D	sim: 87	Wide	sim: 94 %	sim: 0.500	-
LUXEON TX	sim: 84	Wide	sim: 92 %	sim: 0.460	-
NVSxx19B/NVSxx19C	sim: 95	Wide	sim: 91 %	sim: 0.440	-
LH181A	sim: 97	Wide	sim: 94 %	sim: 0.400	-
LH181B	sim: 89	Wide	sim: 94 %	sim: 0.480	-
Z8Y19	100 deg	Wide	94 %	0.390	-

H G F E D C B A

4

3

2

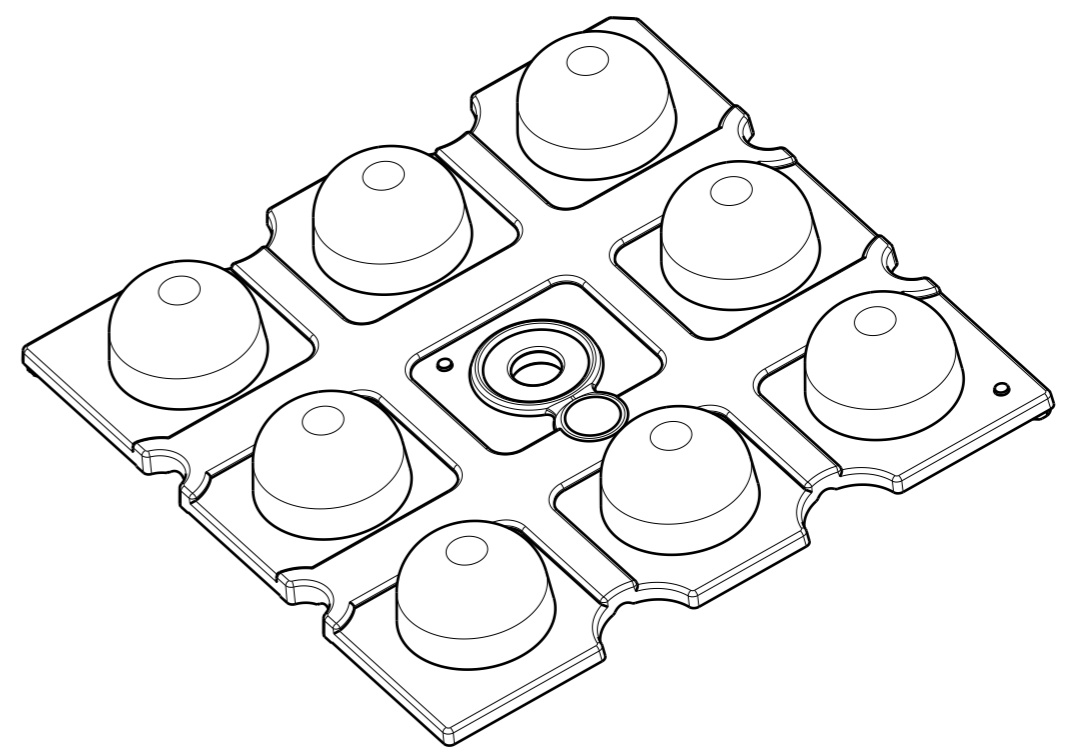
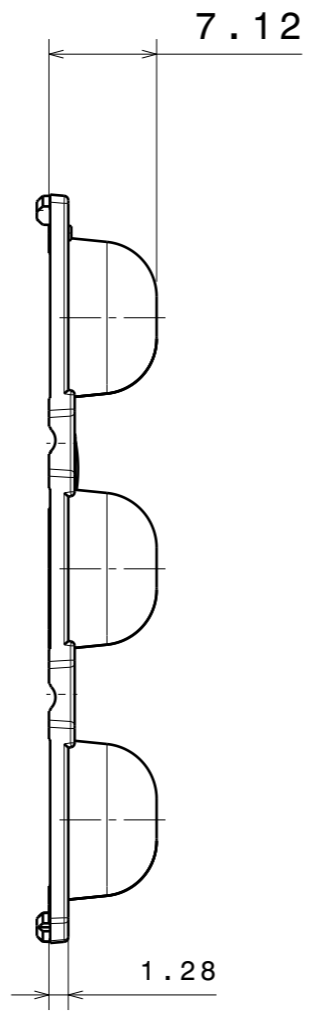
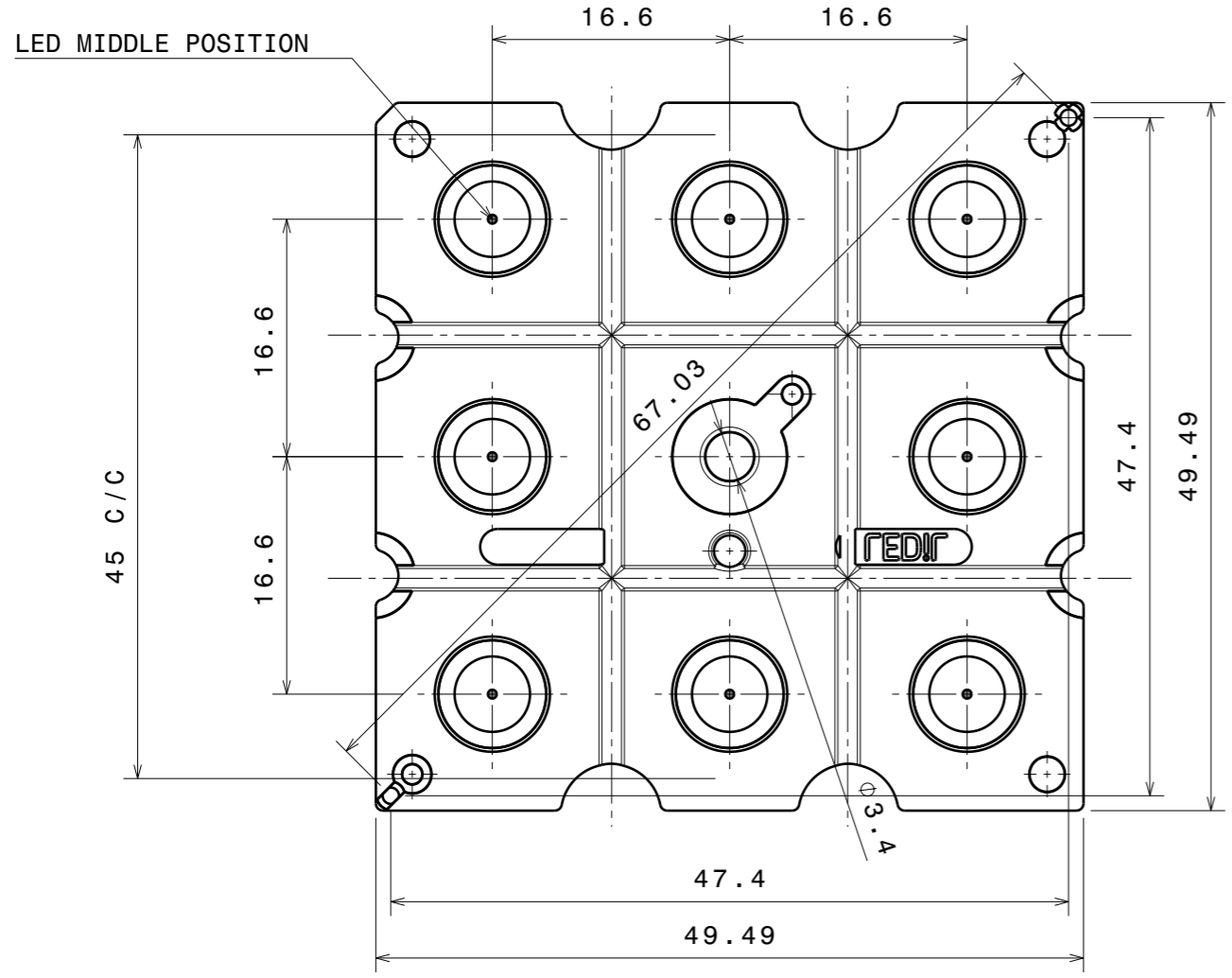
1

4

3

2

1



INDEX	PART NO	DESCRIPTION	MATERIAL	COLOUR
1	-	-	-	-

Tolerances if not otherwise shown
 According to DIN ISO 2768-1
 Linear measures:
 up to 30mm class M, otherwise class C
 According to DIN ISO 2768-2
 Form and position: class L

LEDiL LediL Oy
 Salorankatu 10
 FIN 24240 SALO
 Finland

THIRD ANGLE PROJECTION:

DRAWING TITLE
Datasheet_STRADELLA-HV-HB-W

This drawing is the property of LEDiL Oy. It may not be reproduced, copied or communicated without a written agreement with LEDiL Oy.

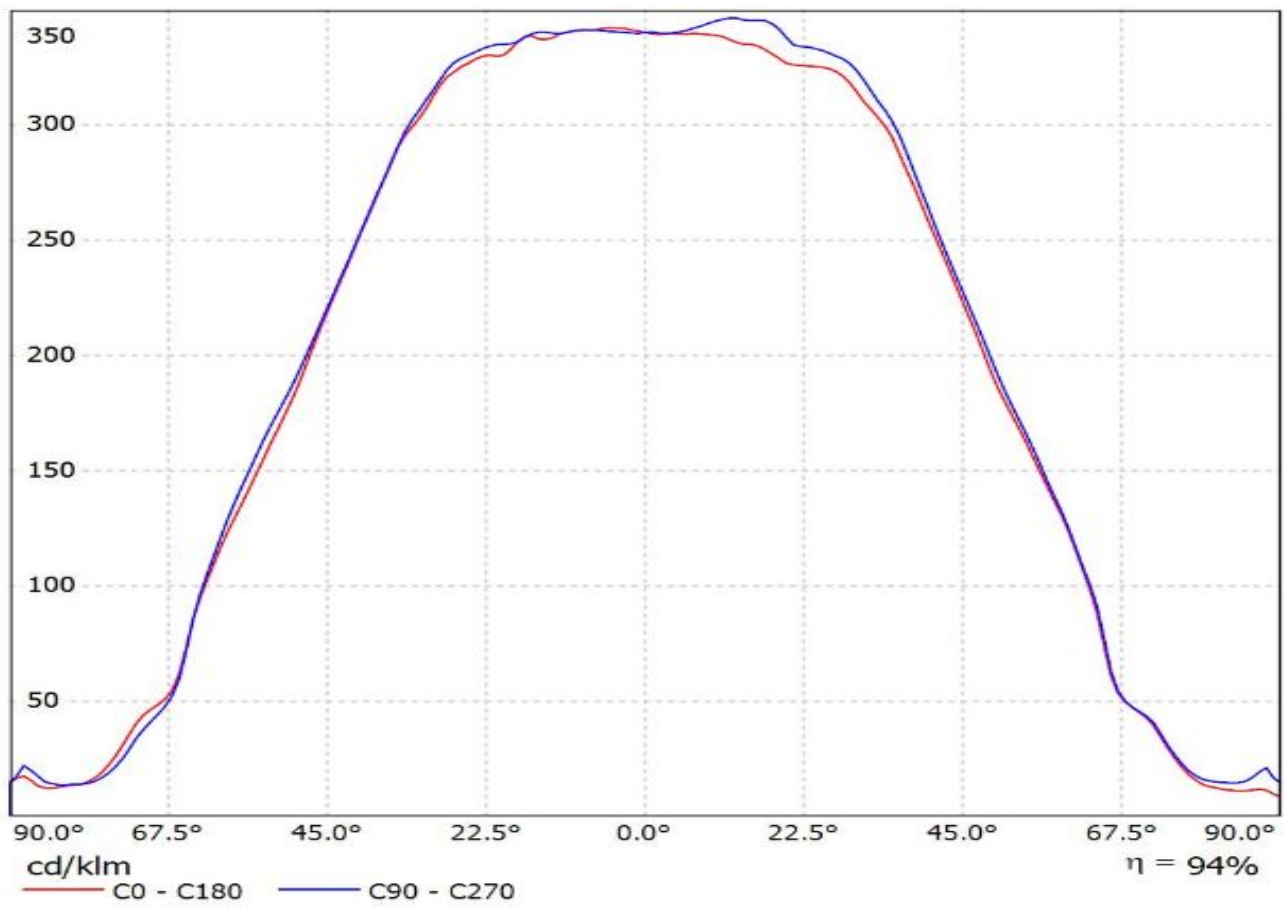
SIZE	PART NUMBER
A3	-

SCALE	2:1	WEIGHT	g	SHEET	1/1
-------	-----	--------	---	-------	-----

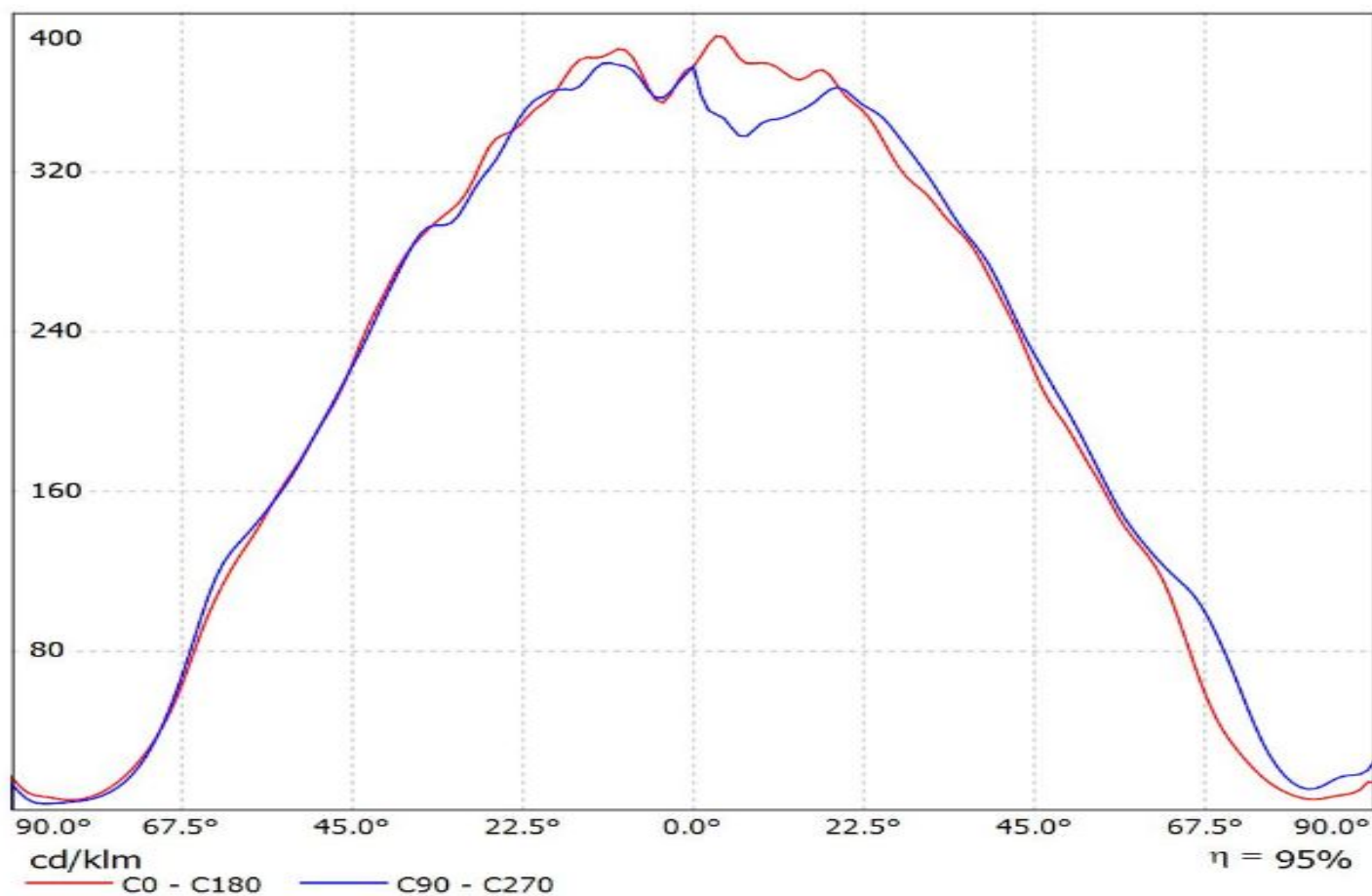
H G B A

Luminaire: Ledil C15985_STRADELLA-8-HV-HB-W_(XD16)

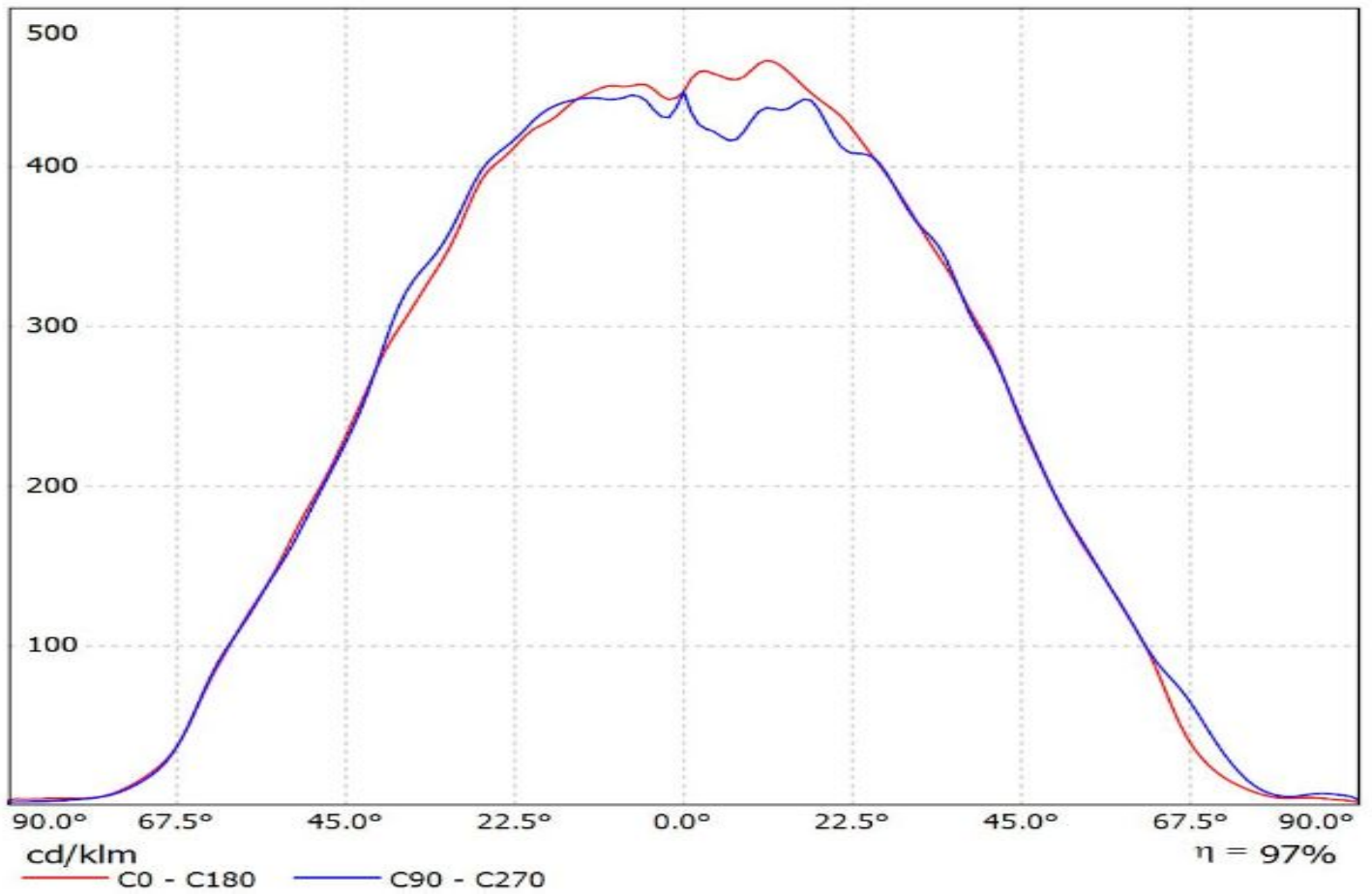
Lamps: 1 x Cree_XD16_(XD16AWT-H-2B0-S20-0B-002)_903.058lm@250mA_CCT=5700K_P5.51704=W_I=0.250A



Luminaire: Ledil Oy C15985_STRADELLA-8-HV-HB-W_(LH181A)_SIMULATED
Lamps: 1 x Samsung LH181A

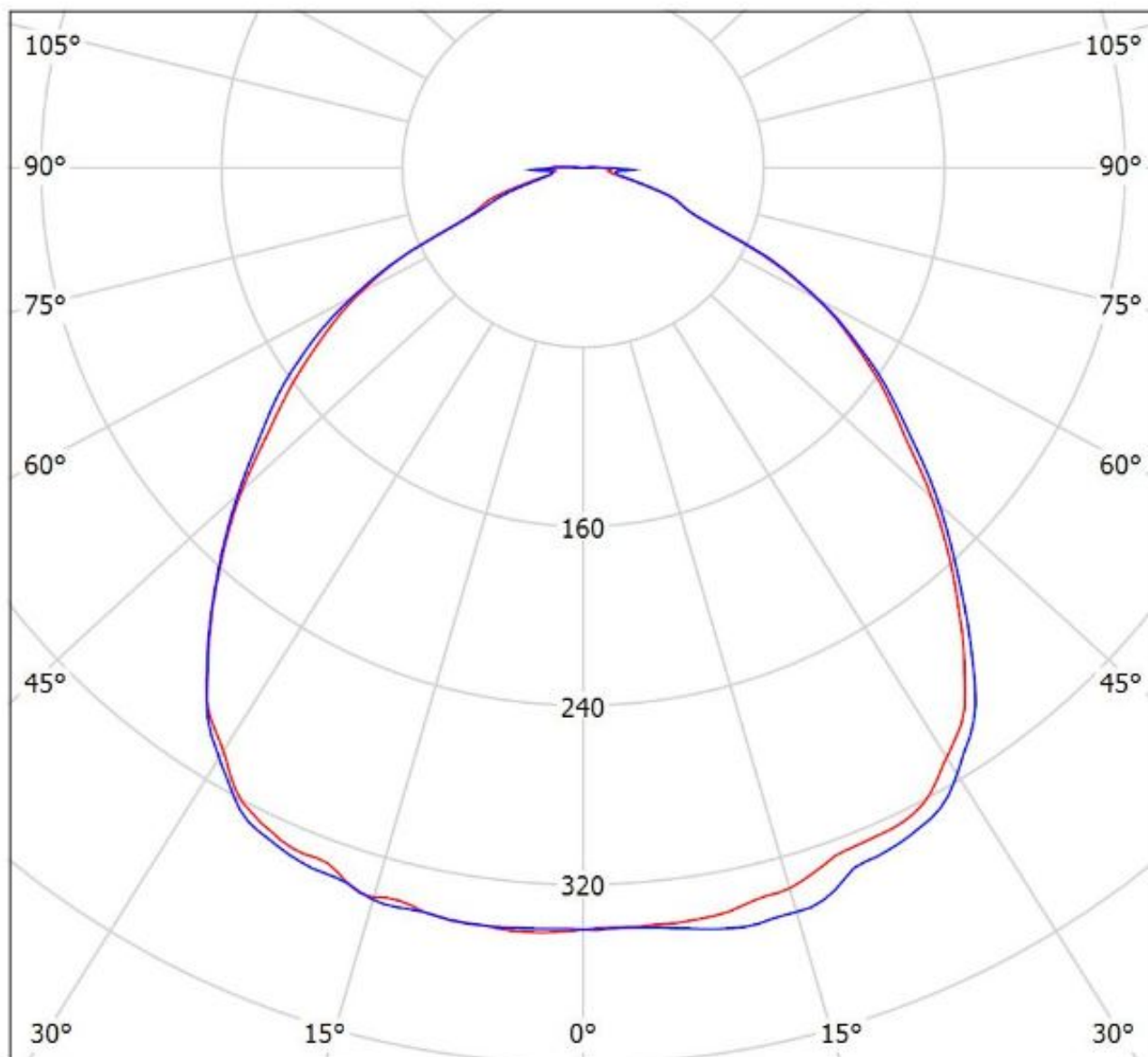


Luminaire: Ledil Oy C15985_STRADELLA-8-HV-HB-W_(LH181B)_SIMULATED
Lamps: 1 x Samsung LH181B



Luminaire: Ledil C15985_STRADELLA-8-HV-HB-W_(XD16)

Lamps: 1 x Cree_XD16_(XD16AWT-H-2B0-S20-0B-002)_903.058lm@250mA_CCT=5700K_P5.51704=W_I=0.250A

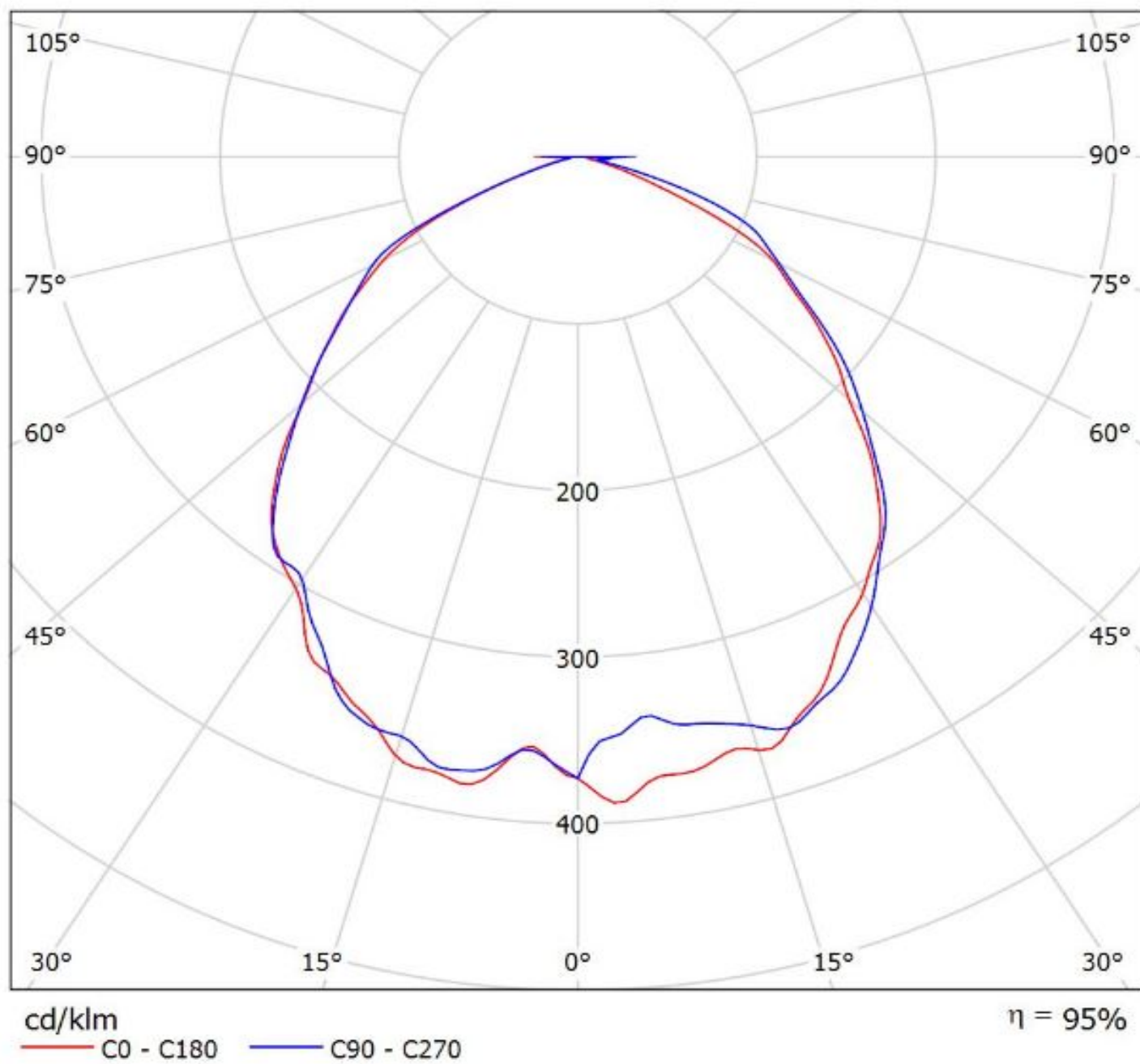


cd/klm

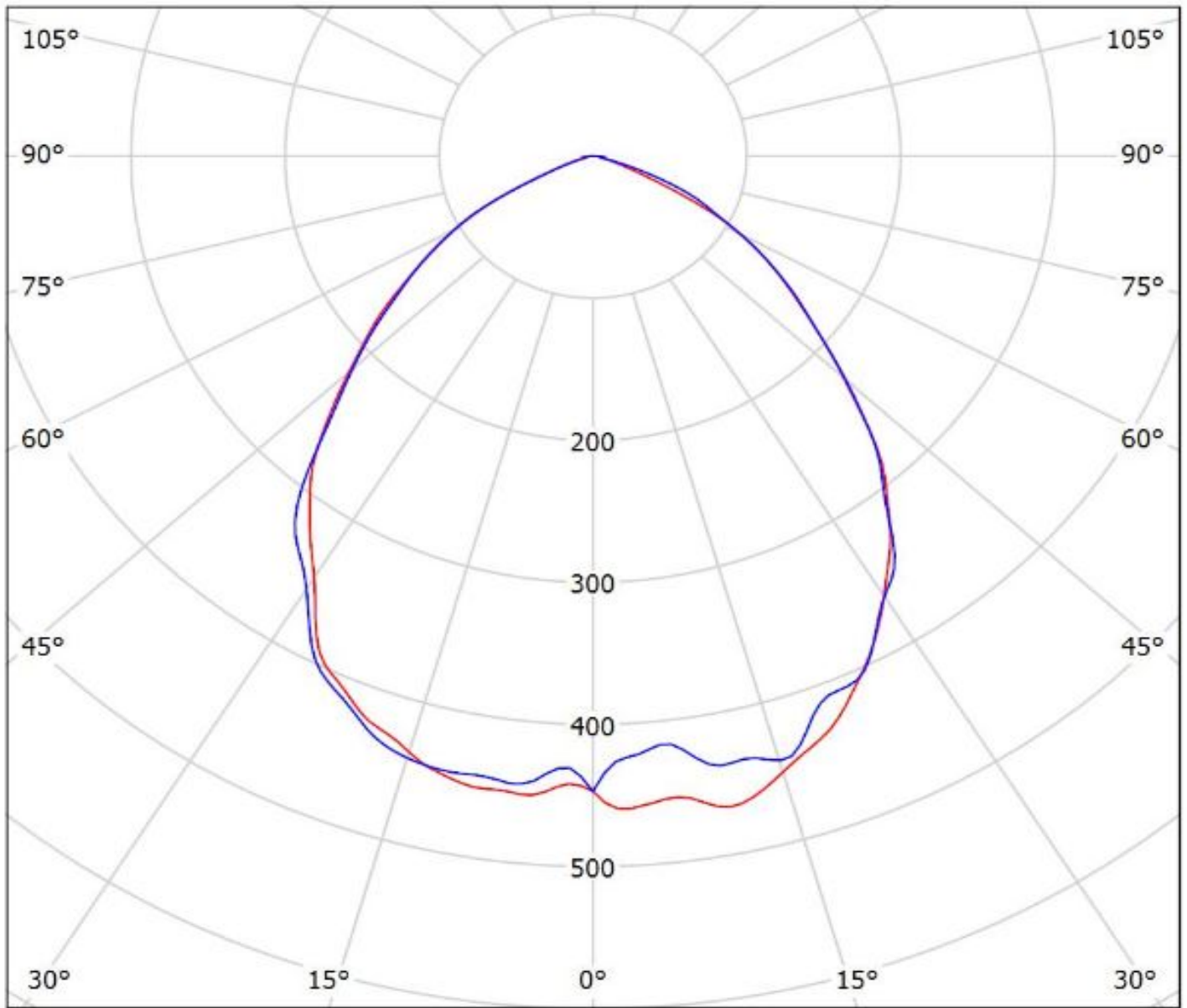
— C0 - C180 — C90 - C270

$\eta = 94\%$

Luminaire: Ledil Oy C15985_STRADELLA-8-HV-HB-W_(LH181A)_SIMULATED
Lamps: 1 x Samsung LH181A



Luminaire: Ledil Oy C15985_STRADELLA-8-HV-HB-W_(LH181B)_SIMULATED
Lamps: 1 x Samsung LH181B



cd/klm

— C0 - C180 — C90 - C270

$\eta = 97\%$

NOTE: The typical divergence will be changed by different color, chip size and chip position tolerance. The typical total divergence is the full angle measured where the luminous intensity is half of the peak value.