



PRODUCT DATASHEET

HighBay series

last update 29/11/2017

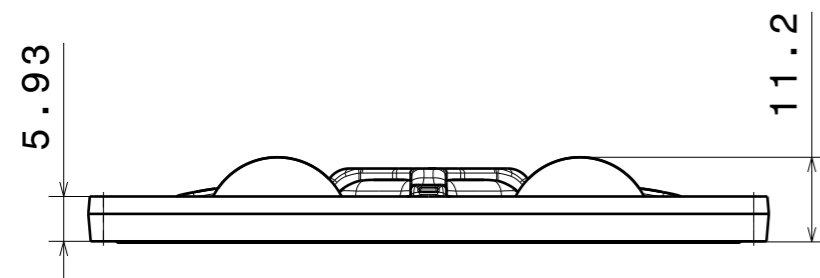
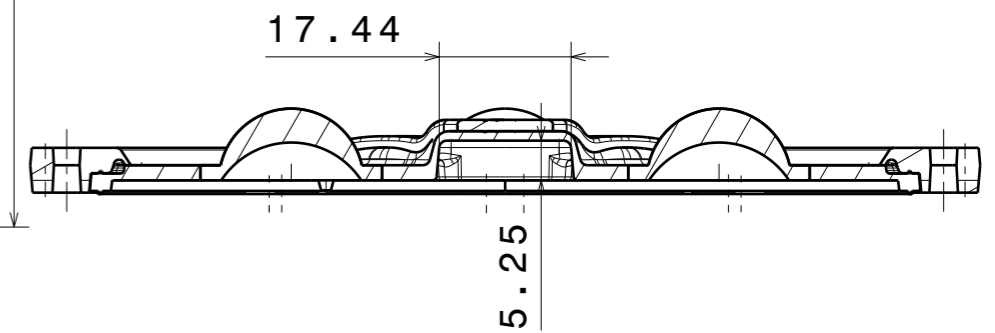
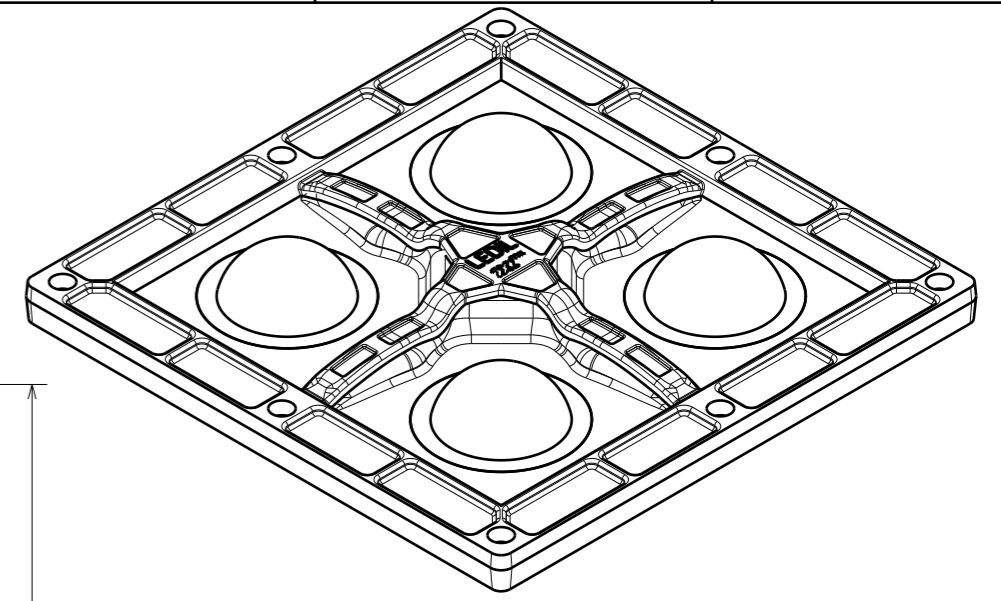
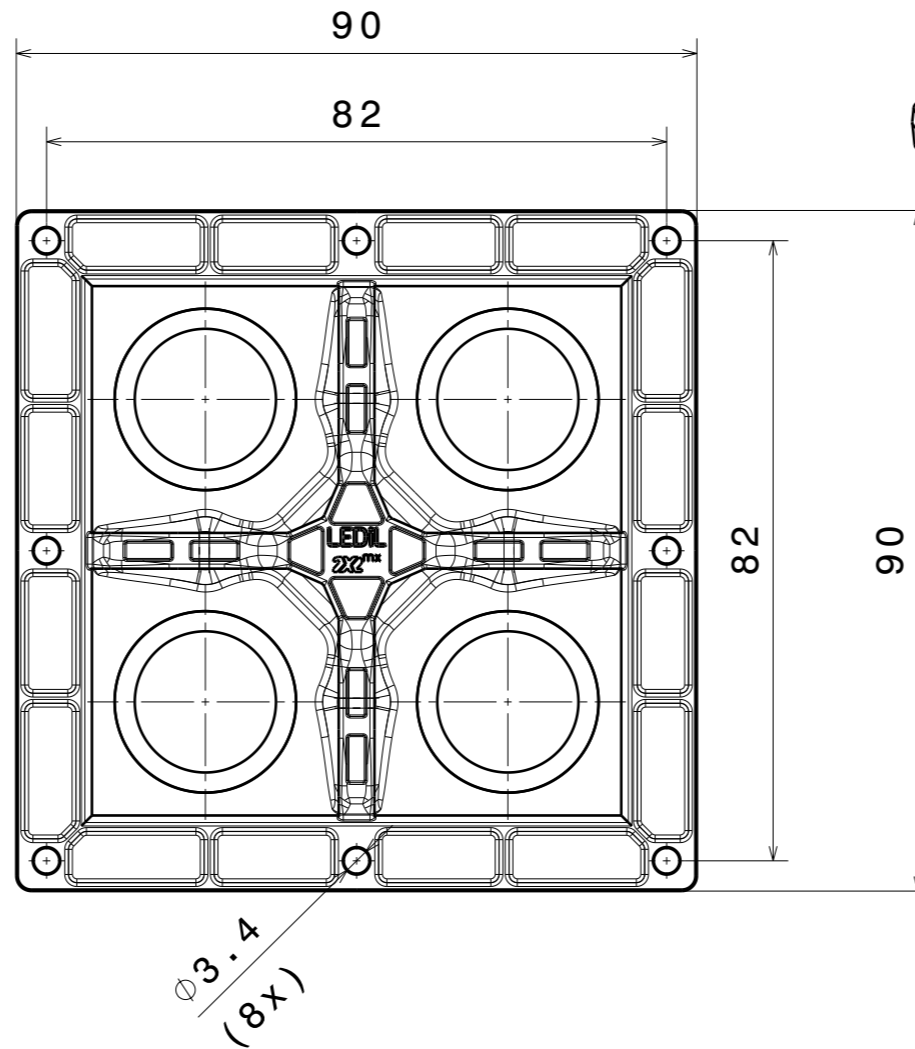
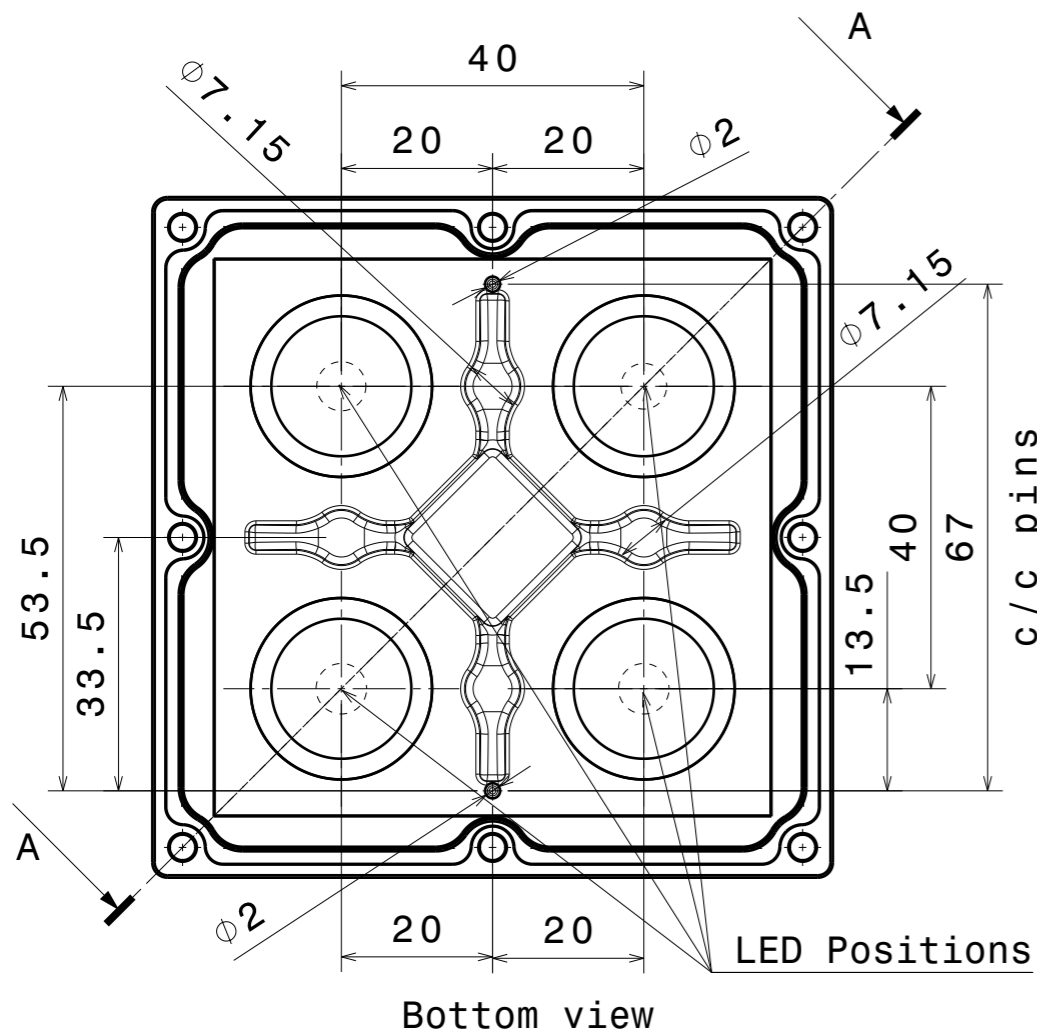
DETAILS

Product Number	FP15897_HB-2X2MXS-WWW
Family	HighBay
Type	Pack
Color	clear
Diameter	90x90 mm
Height	11,5 mm
Style	square
Optic Material	Silicone
Holder Material	
Fastening	screw
Status	production ready
ROHS Compliant	Yes
Date Updated	29/11/2017



OPTICAL PROPERTIES

LED	Viewing Angle	Light Beam	Efficiency	cd/lm	Connector
SMD 5050	sim: 79	WWW-class	sim: 94 %	sim: 0.570	-
CLU700/701	sim: 77	WWW-class	sim: 89 %	sim: 0.540	Bender Wirth: 434 Typ 2x2MX HV
MHB-A/B	sim: 75	WWW-class	sim: 91 %	sim: 0.600	-
LUXEON M/MX	90 deg	WWW-class	94 %	0.480	-



INDEX	PART NO	DESCRIPTION	MATERIAL	COLOUR
1	F14813	STRADA-2X2MXS-FRAME	PA GF	black
2	F15650	HB-2X2MXS-WWW	Silicone	

Tolerances if not otherwise shown
 According to DIN ISO 2768-1
 Linear measures:
 up to 30mm class M, otherwise class C
 According to DIN ISO 2768-2
 Form and position: class L



Ledil Oy
 Salorankatu 10
 FIN 24240 SALO
 Finland

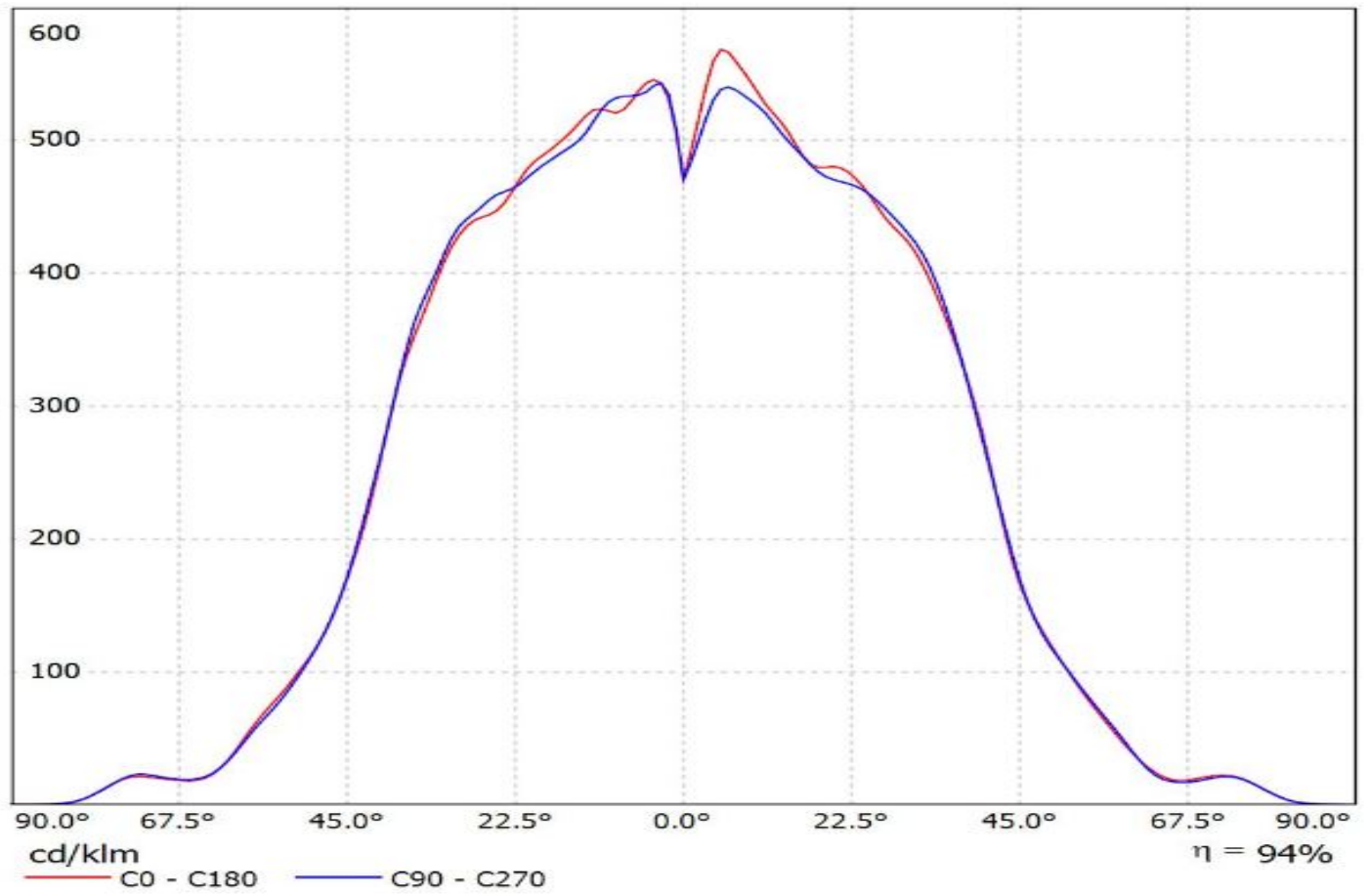
THIRD ANGLE PROJECTION:

DRAWING TITLE
FP15897_HB-2X2MXS-WWW Datasheet

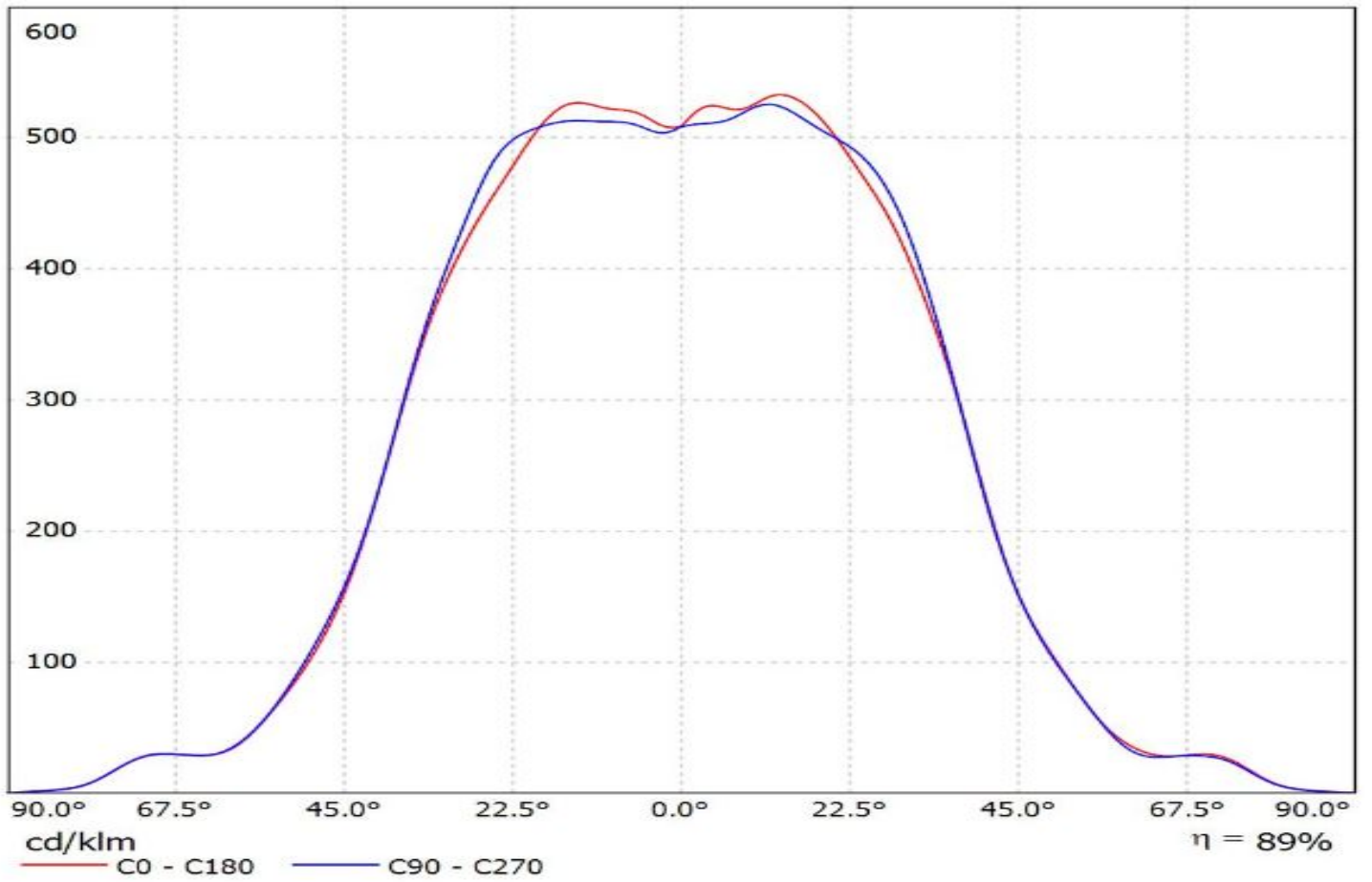
This drawing is the property
 of LEDiL Oy. It may not be
 reproduced, copied or
 communicated without a written
 agreement with LEDiL Oy.

SIZE	PART NUMBER
A3	FP15897
SCALE	1:1
WEIGHT	31,7 g
SHEET	1/1

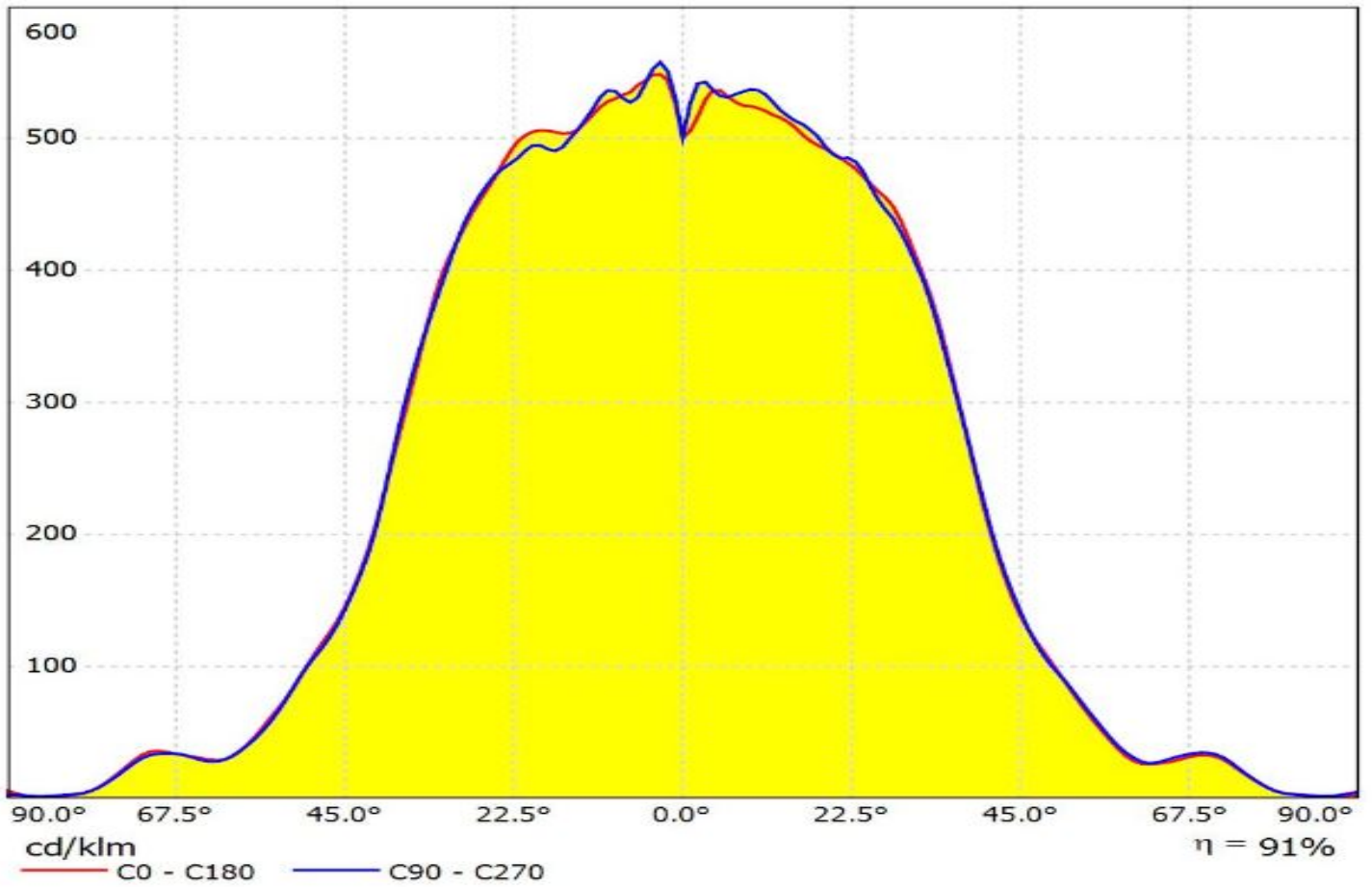
Luminaire: Ledil Oy FP15897_HB-2X2MXS-WWW_BRIDGELUX_SMD_5050_SIMULATED
Lamps: 1 x BRIDGELUX SMD 5050



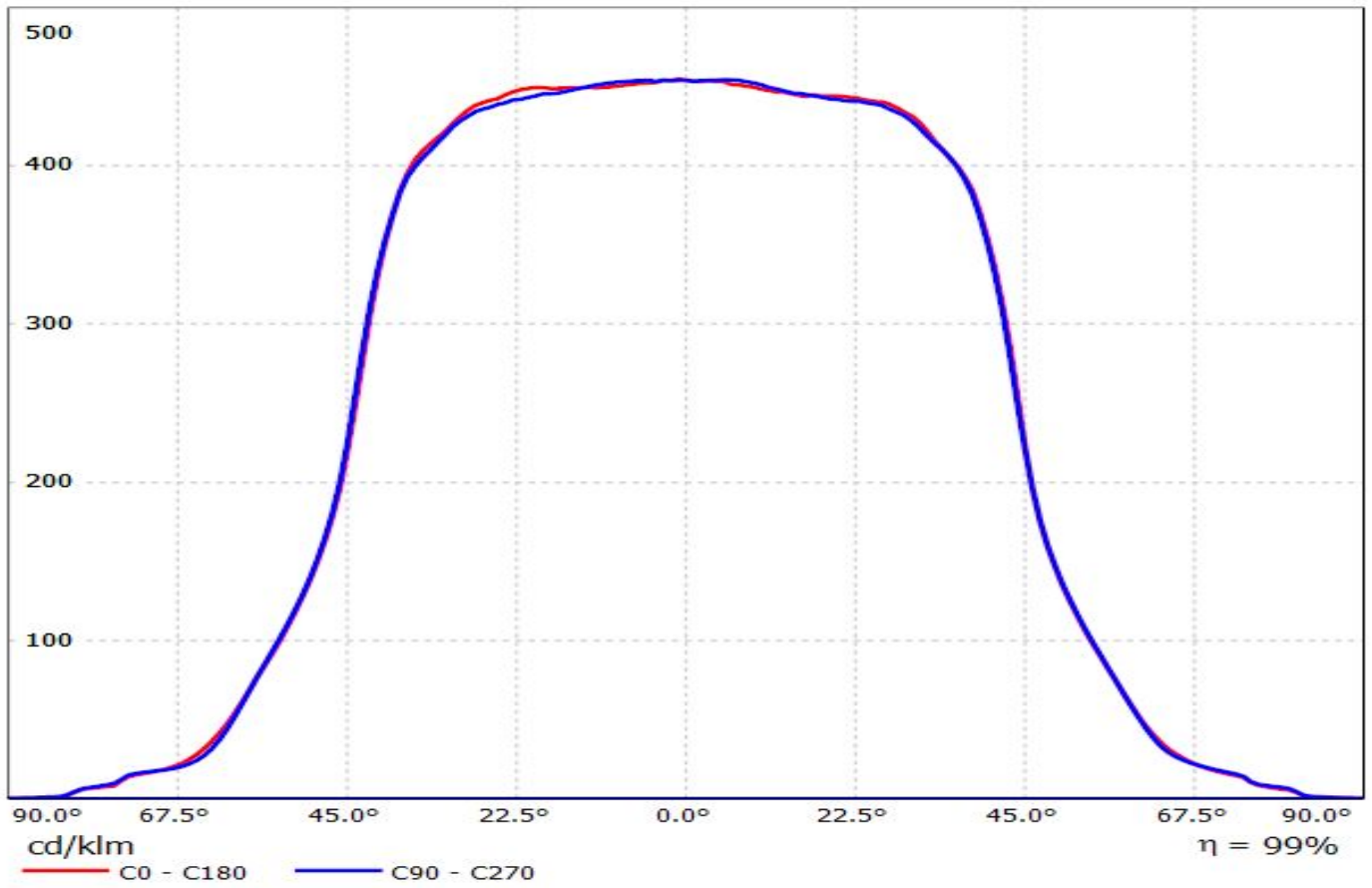
Luminaire: Ledil Oy FP15897_HB-2X2MXS-WWW_(CLU701)_SIMULATED
Lamps: 1 x Citizen CLU701



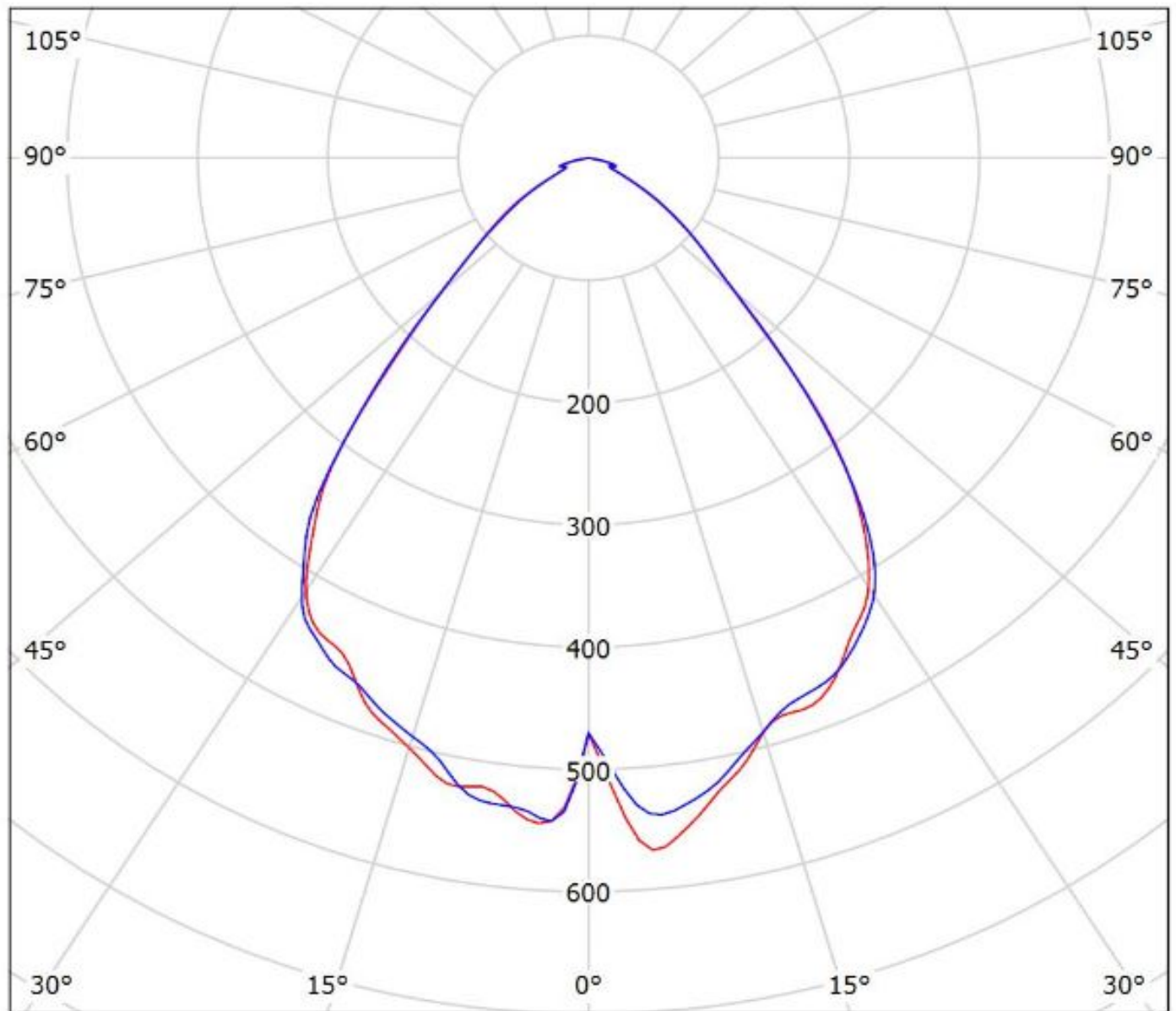
Luminaire: Ledil Oy FP15897_HB-2X2MXS-WWW_SIMULATED
Lamps: 1 x CREE_MHB-B



Luminaire: Ledil FP15897_HB-2X2MXS-WWW_(Luxeon_M)
Lamps: 1 x Luxeon_M_2x2MX_1763.05lm@250mA_P=10.9744W_I=0.25A



Luminaire: Ledil Oy FP15897_HB-2X2MXS-WWW_BRIDGELUX_SMD_5050_SIMULATED
Lamps: 1 x BRIDGELUX SMD 5050

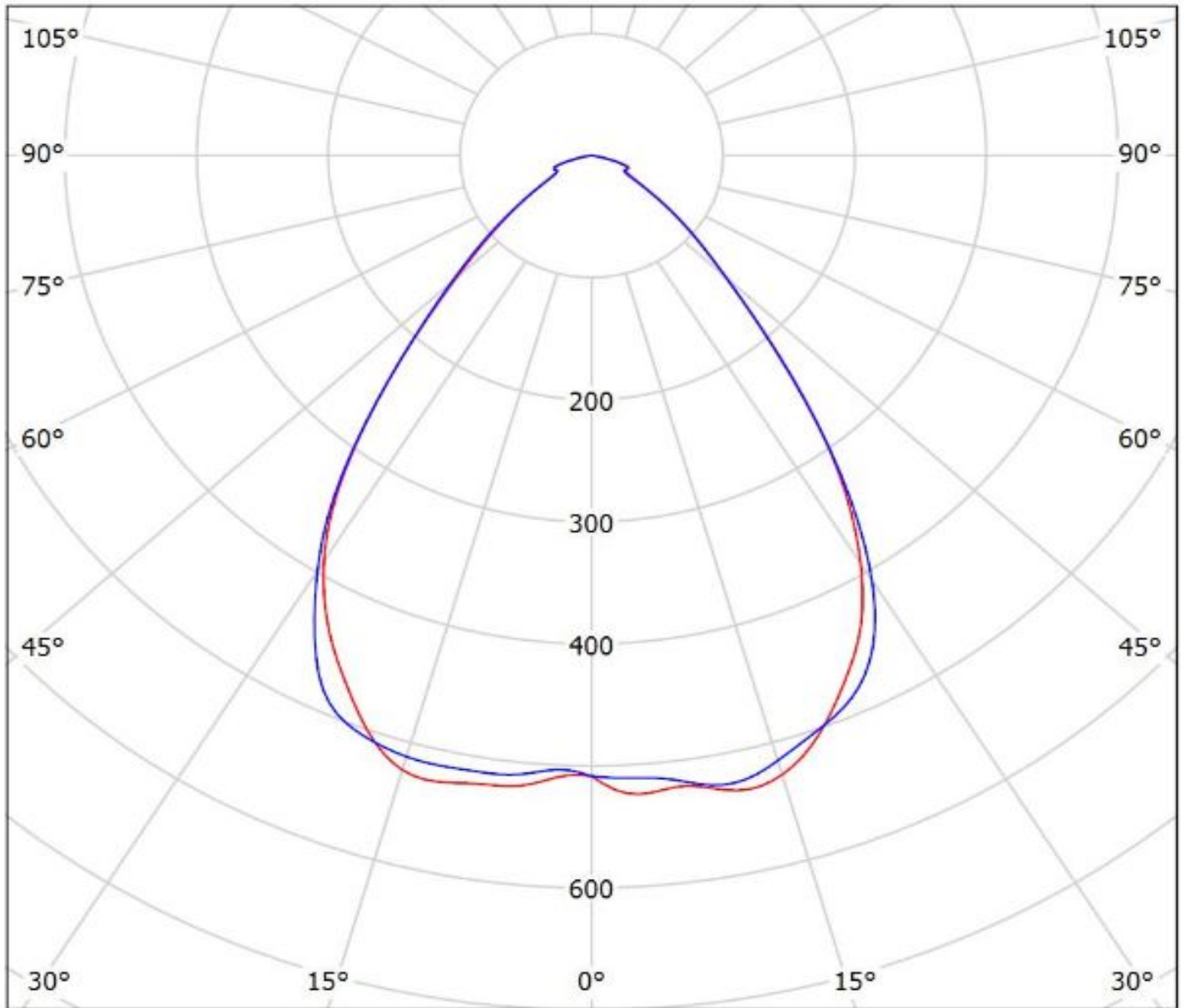


cd/klm

— C0 - C180 — C90 - C270

$\eta = 94\%$

Luminaire: Ledil Oy FP15897_HB-2X2MXS-WWW_(CLU701)_SIMULATED
Lamps: 1 x Citizen CLU701

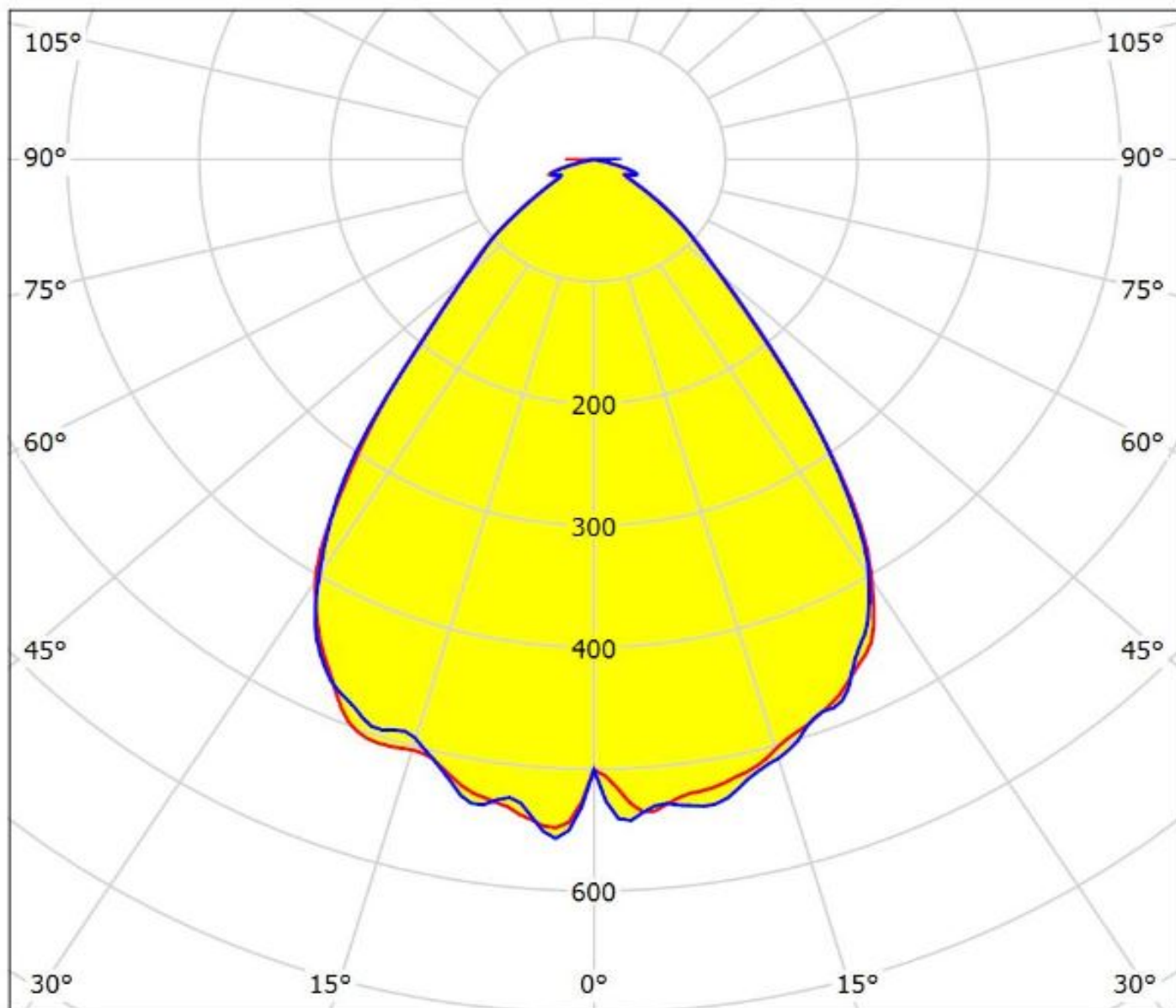


cd/klm

— C0 - C180 — C90 - C270

$\eta = 89\%$

Luminaire: Ledil Oy FP15897_HB-2X2MXS-WWW_SIMULATED
Lamps: 1 x CREE_MHB-B



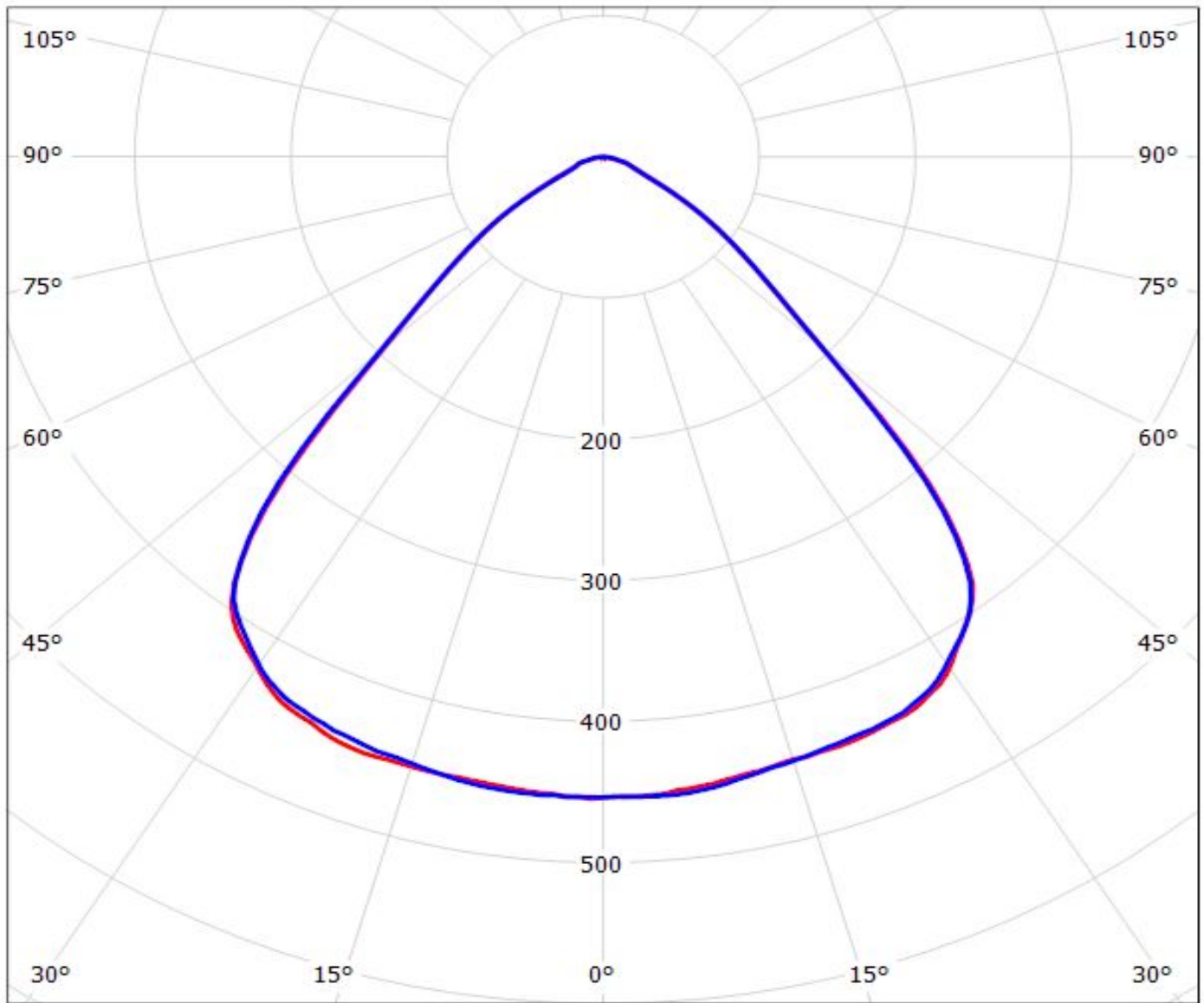
cd/klm

— C0 - C180 — C90 - C270

$\eta = 91\%$

Luminaire: Ledil FP15897_HB-2X2MXS-WWW_(Luxeon_M)

Lamps: 1 x Luxeon_M_2x2MX_1763.05lm@250mA_P=10.9744W_I=0.25A



cd/klm

— C0 - C180

— C90 - C270

$\eta = 99\%$

NOTE: The typical divergence will be changed by different color, chip size and chip position tolerance. The typical total divergence is the full angle measured where the luminous intensity is half of the peak value.

GENERAL INFORMATION

- Product series especially designed & optimized for series of LEDs.
- Special care taken to make light distribution as uniform as possible.

Note! Due to use of high power COB's with this product, special attention to proper thermal design is highly recommended. LEDiL has no liability for direct, indirect or consecutive damages arising from the LEDiL products being used outside of the recommended temperature range.