

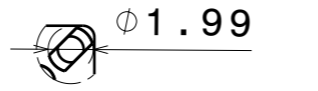
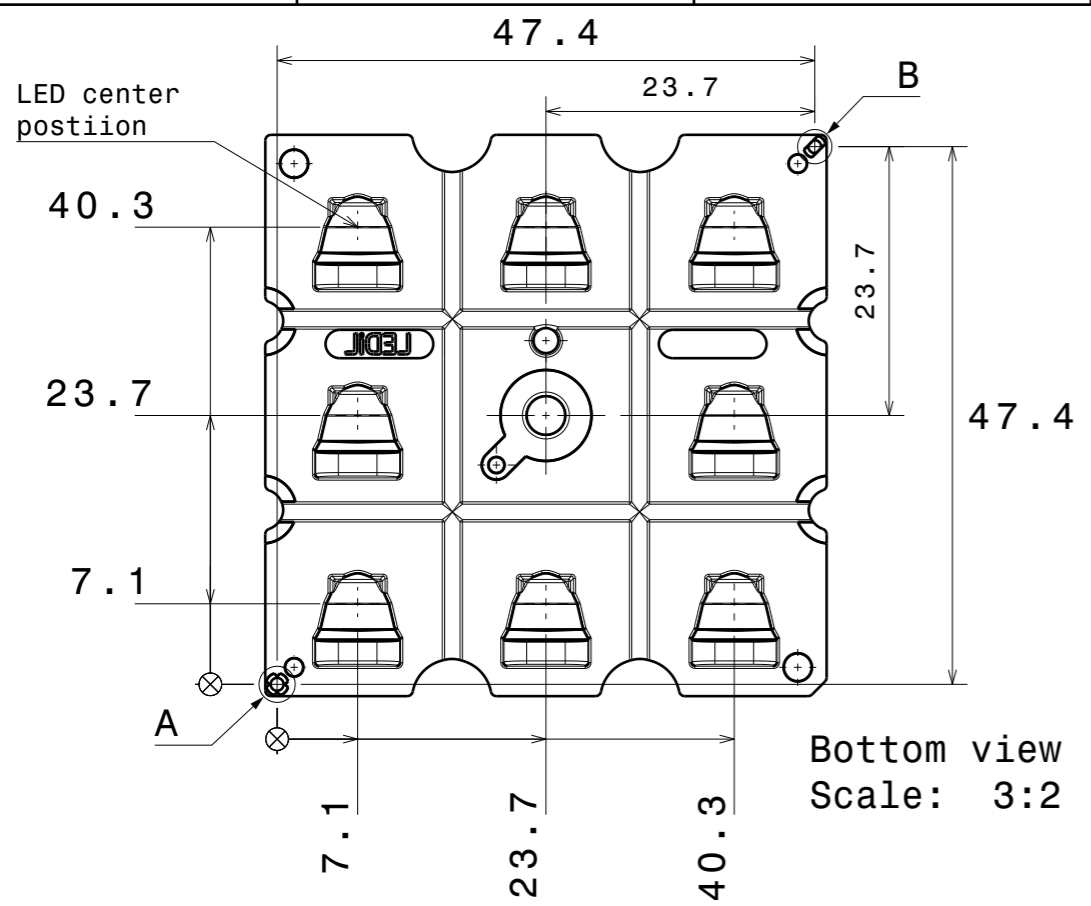
## DETAILS

<b>Product Number</b>	C16051_STRADELLA-8-HV-T1-A
<b>Family</b>	Stradella
<b>Type</b>	Lens
<b>Color</b>	clear
<b>Diameter</b>	49,5x49,5 mm
<b>Height</b>	5,25 mm
<b>Style</b>	square
<b>Optic Material</b>	PMMA
<b>Holder Material</b>	
<b>Fastening</b>	pin, screw
<b>Status</b>	production ready
<b>ROHS Compliant</b>	Yes
<b>Date Updated</b>	12/07/2017

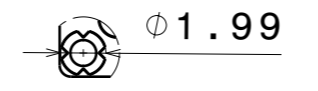


## OPTICAL PROPERTIES

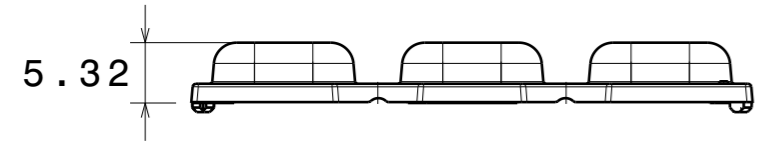
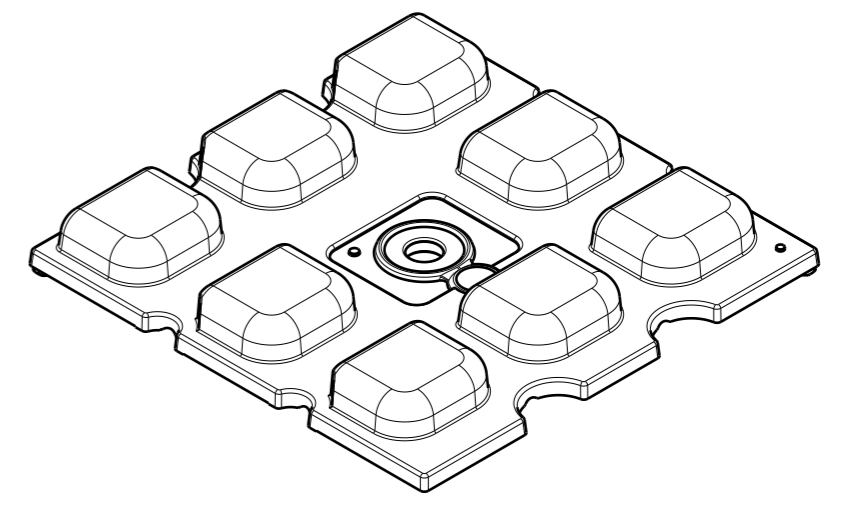
LED	Viewing Angle	Light Beam	Efficiency	cd/lm	Connector
XP-G3	sim: Asymmetric	Streetlight	sim: 94 %	sim: 0.709	-
XT-E	sim: Asymmetric	Streetlight	sim: 94 %	sim: 0.928	-
XP-G2	sim: Asymmetric	Streetlight	sim: 94 %	sim: 0.973	-
XD16	Asymmetric deg	Streetlight	94 %	1.200	-
NVSxx19B/NVSxx19C	sim: Asymmetric	Streetlight	sim: 94 %	sim: 0.873	-
Oslo Square Gen3	sim: Asymmetric	Streetlight	sim: 94 %	sim: 0.887	-
LH351B	sim: Asymmetric	Streetlight	sim: 94 %	sim: 0.769	-
LH181A	sim: Asymmetric	Streetlight	sim: 94 %	sim: 0.870	-
LH181B	sim: Asymmetric	Streetlight	sim: 94 %	sim: 0.980	-
Z5M1/Z5M2	sim: Asymmetric	Streetlight	sim: 94 %	sim: 1.009	-



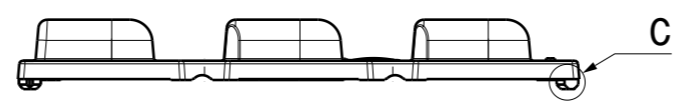
Detail B  
Scale: 3:1



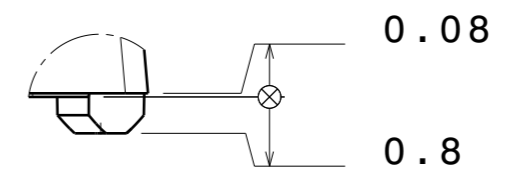
Detail A  
Scale: 3:1



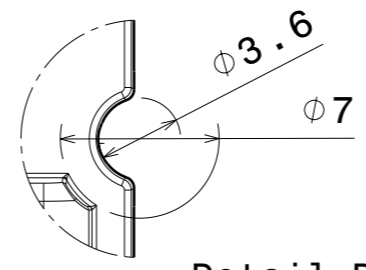
Front view  
Scale: 3:2



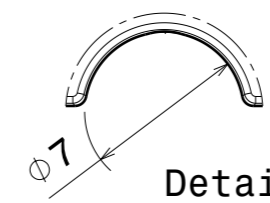
Left view  
Scale: 3:2



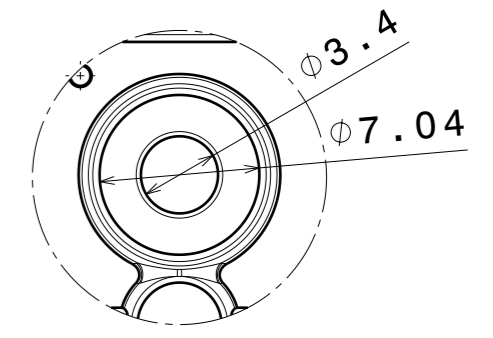
Detail C  
Scale: 6:1



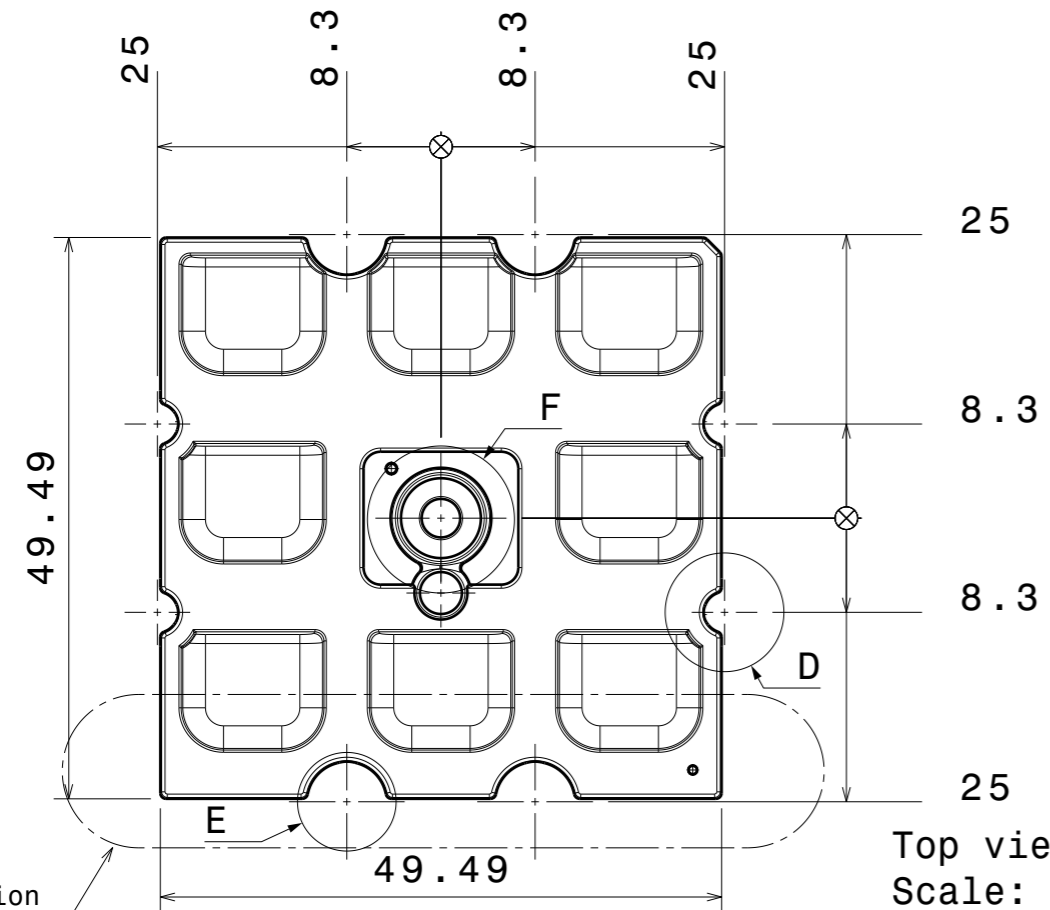
Detail D  
Scale: 3:1



Detail E  
Scale: 3:1



Detail F  
Scale: 3:1



Tolerances if not otherwise shown  
According to DIN ISO 2768-1  
Linear measures:  
Up to 30mm class M, otherwise class C.  
According to DIN ISO 2768-2  
Form and position: class L

**LEDiL** LediL Oy  
Salorankatu 10  
FIN 24240 SALO  
Finland

THIRD ANGLE PROJECTION:

DRAWING TITLE  
**STRADELLA-8-HV-T1-A mechanical drawing**

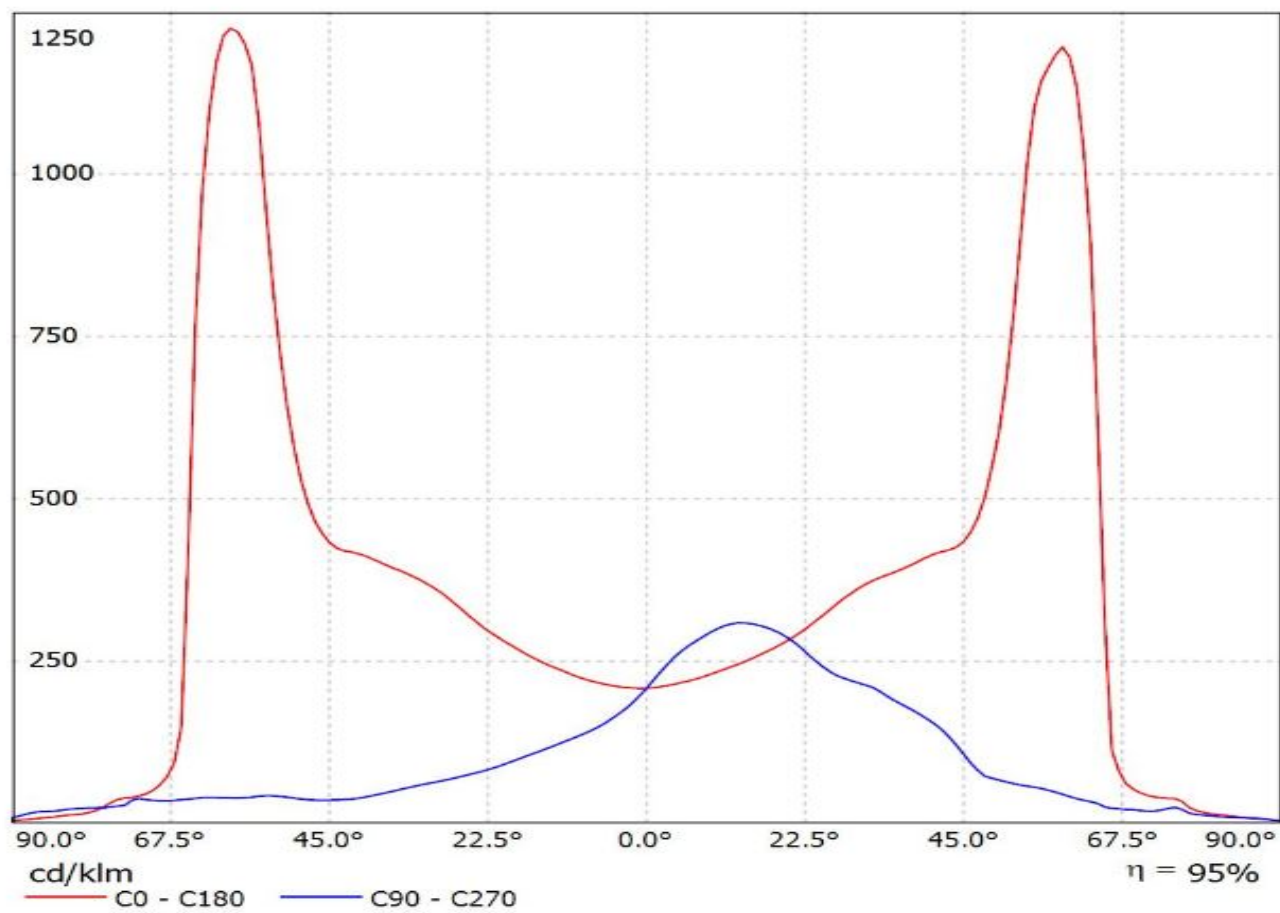
This drawing is the property of LEDiL Oy. It may not be reproduced, copied or communicated without a written agreement with LEDiL Oy.

SIZE	PART NUMBER		
A3	C16051		

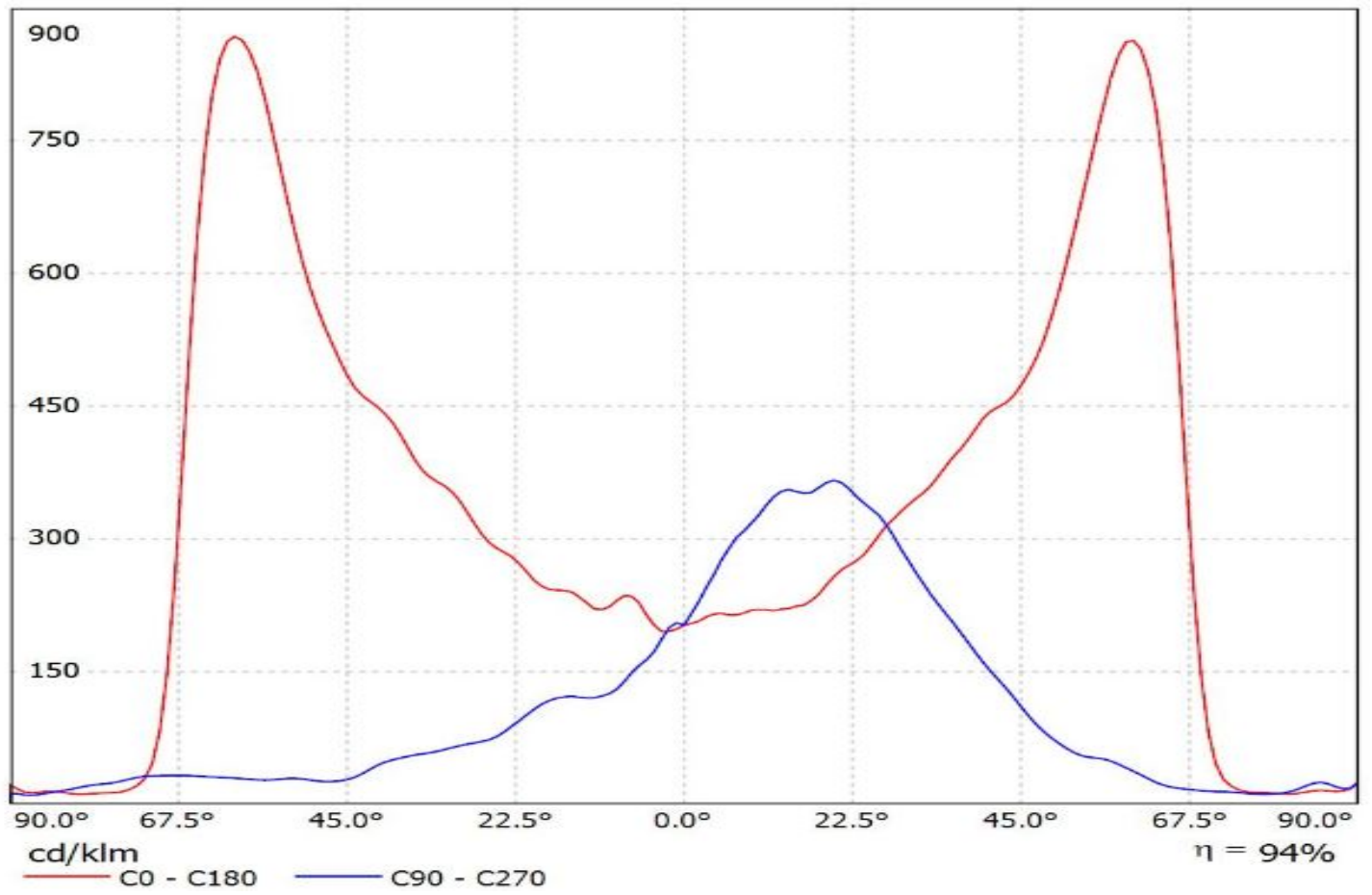
SCALE	WEIGHT	SHEET
3:2	6,7 g	1/1

Luminaire: Ledil C16051\_STRADELLA-8-HV-T1-A\_(XD16)

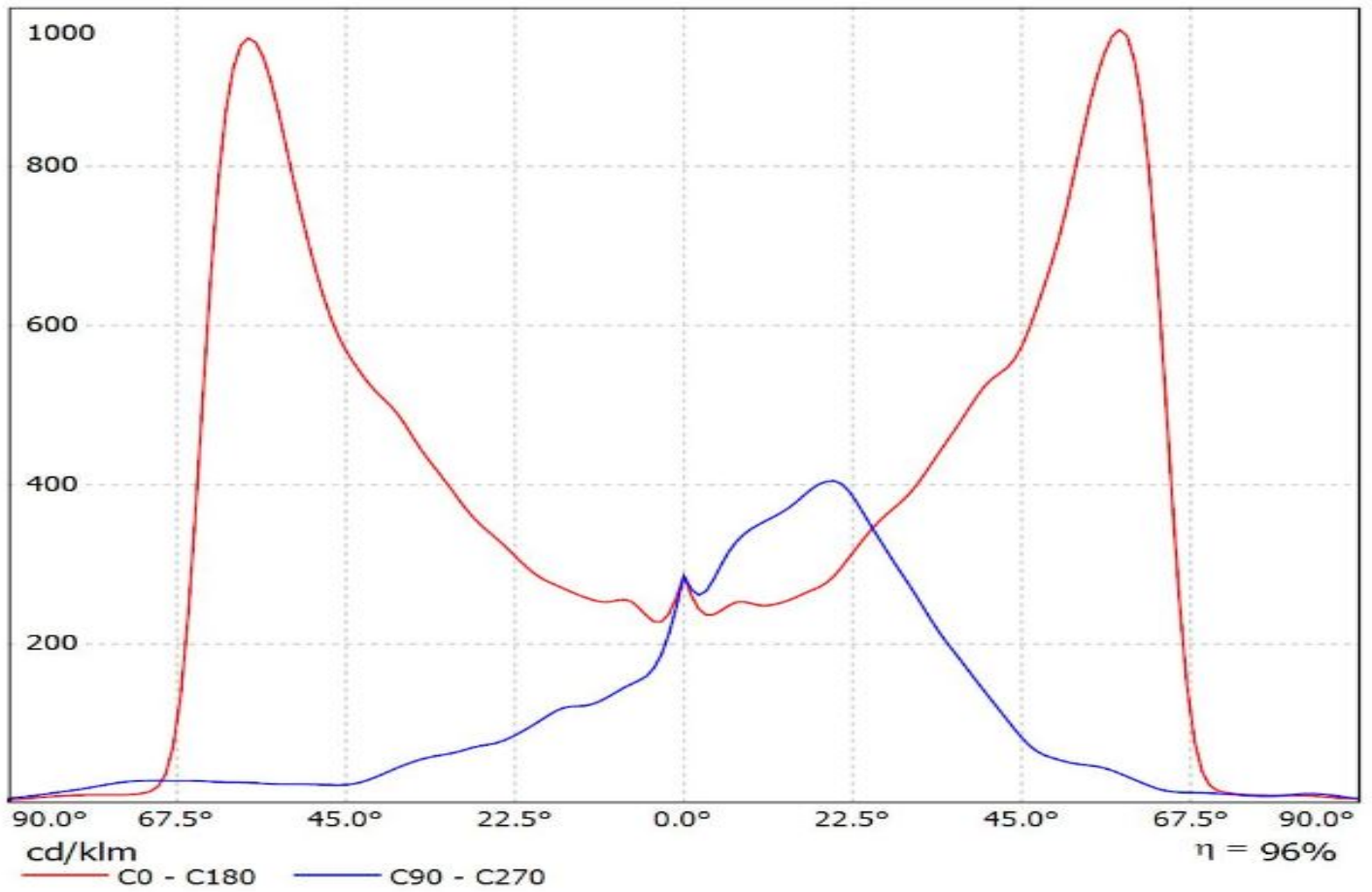
Lamps: 1 x Cree\_XD16\_(XD16AWT-H-2B0-S20-0B-002)\_903.058lm@250mA\_CCT=5700K\_P5.51704=W\_I=0.250A



Luminaire: Ledil Oy C16051\_STRADELLA-8-HV-T1-A\_(LH181A)\_SIMULATED  
Lamps: 1 x Samsung LH181A

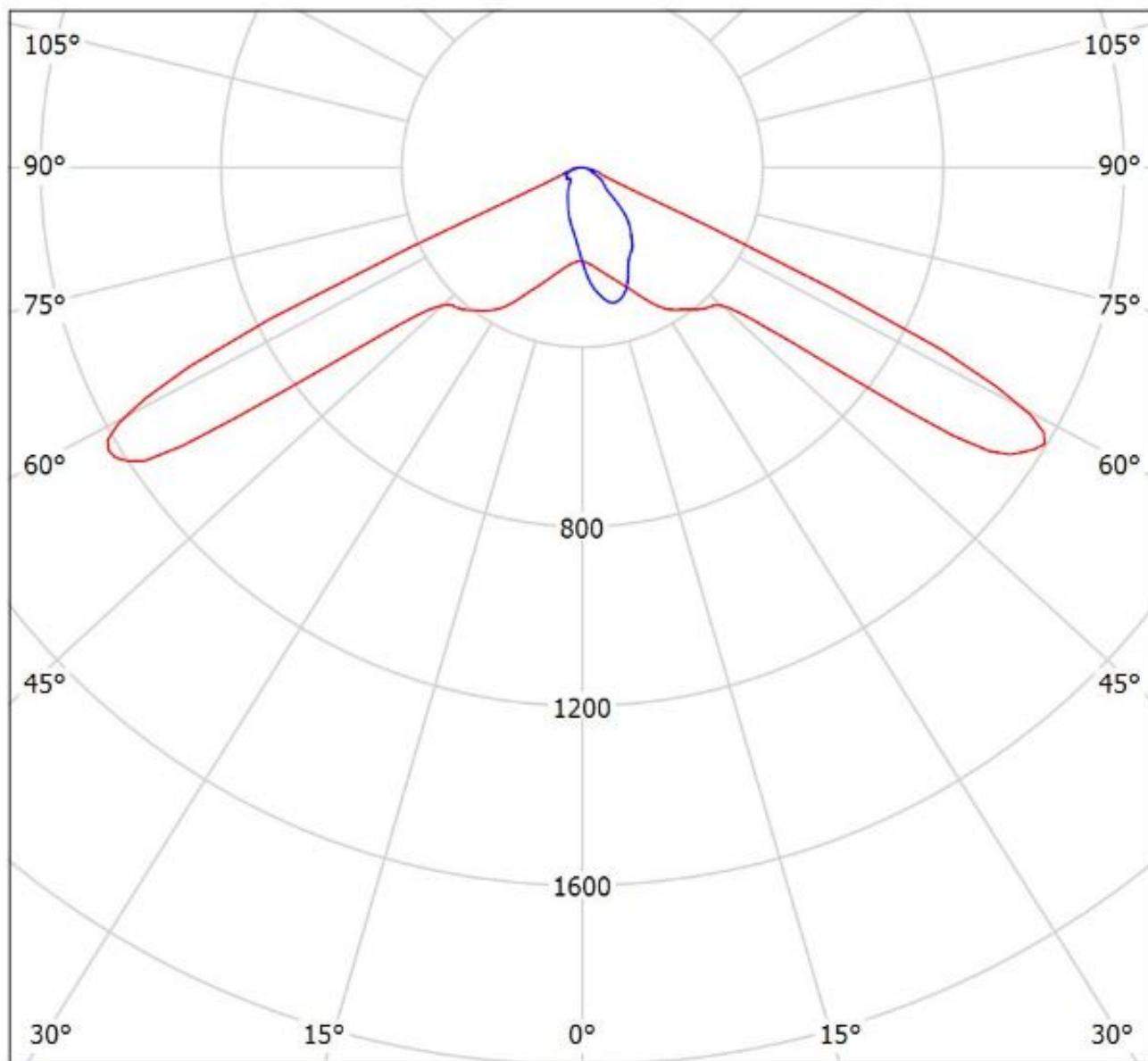


Luminaire: Ledil Oy C16051\_STRADELLA-8-HV-T1-A\_(LH181B)\_SIMULATED  
Lamps: 1 x Samsung LH181B



Luminaire: Ledil C16051\_STRADELLA-8-HV-T1-A\_(XD16)

Lamps: 1 x Cree\_XD16\_(XD16AWT-H-2B0-S20-0B-002)\_903.058lm@250mA\_CCT=5700K\_P5.51704=W\_I=0.250A

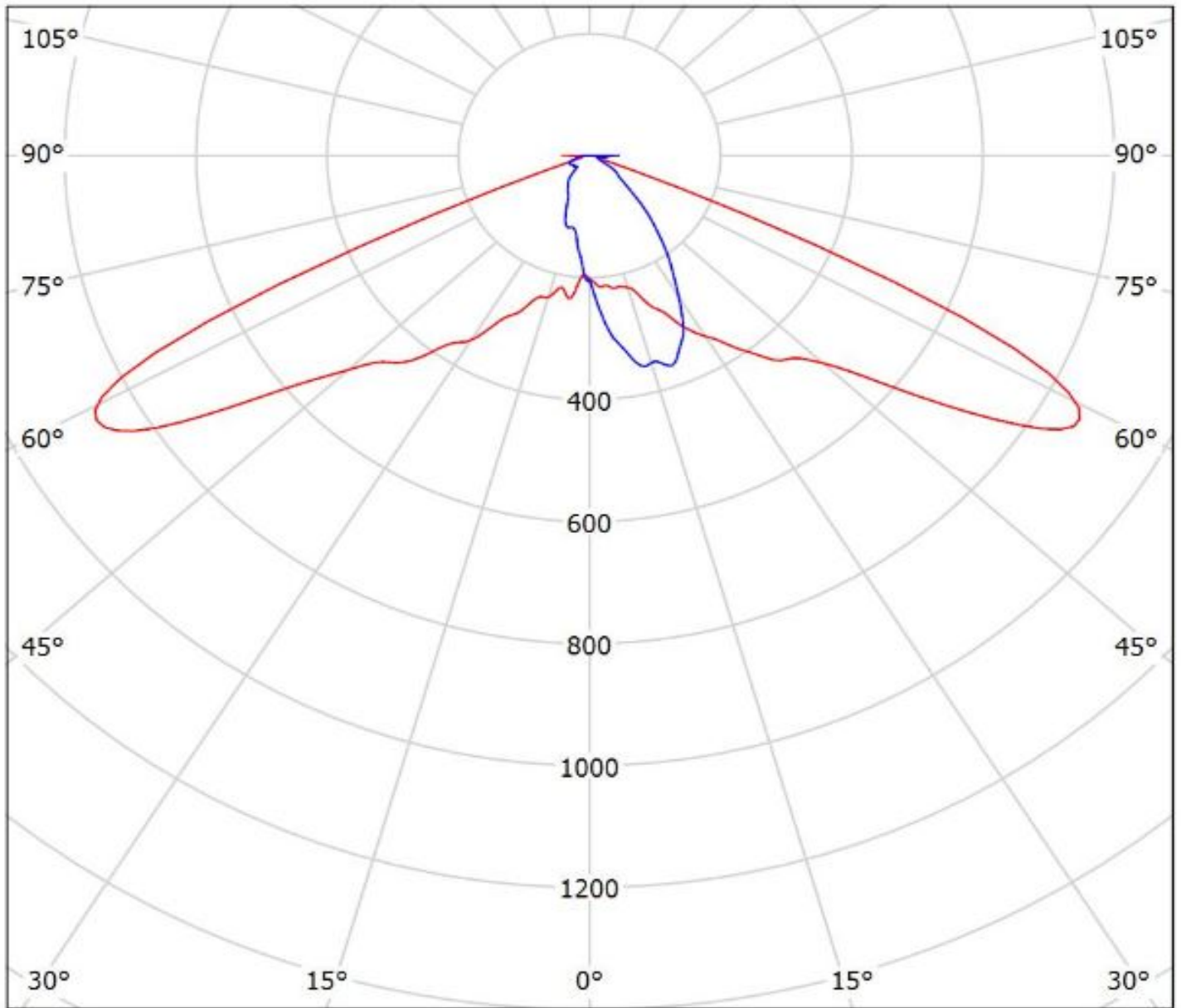


cd/klm

— C0 - C180 — C90 - C270

$\eta = 95\%$

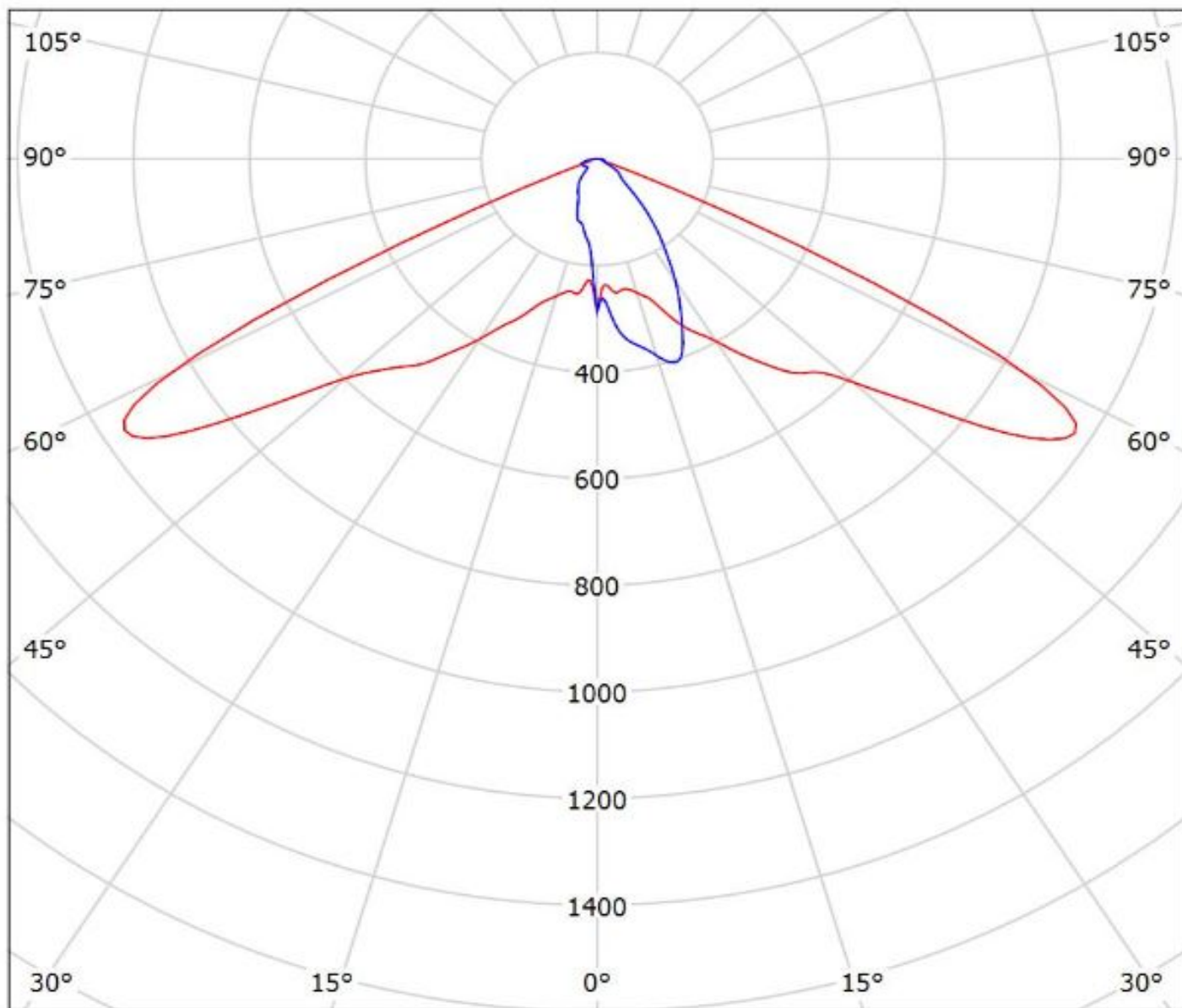
Luminaire: Ledil Oy C16051\_STRADELLA-8-HV-T1-A\_(LH181A)\_SIMULATED  
Lamps: 1 x Samsung LH181A



cd/klm  
— C0 - C180 — C90 - C270

$\eta = 94\%$

Luminaire: Ledil Oy C16051\_STRADELLA-8-HV-T1-A\_(LH181B)\_SIMULATED  
Lamps: 1 x Samsung LH181B



cd/klm

— C0 - C180 — C90 - C270

$\eta = 96\%$

**NOTE: The typical divergence will be changed by different color, chip size and chip position tolerance. The typical total divergence is the full angle measured where the luminous intensity is half of the peak value.**