



# PRODUCT DATASHEET

## Linnea series

last update 25/1/2018

### DETAILS

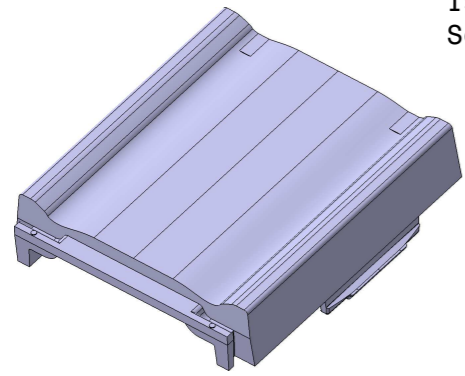
|                        |                         |
|------------------------|-------------------------|
| <b>Product Number</b>  | F16183_LINNEA-90-END-FL |
| <b>Family</b>          | Linnea                  |
| <b>Type</b>            | Accessory               |
| <b>Color</b>           | clear                   |
| <b>Diameter</b>        | 40 mm                   |
| <b>Height</b>          | 9,5 mm                  |
| <b>Style</b>           | rectang                 |
| <b>Optic Material</b>  |                         |
| <b>Holder Material</b> |                         |
| <b>Fastening</b>       | clips                   |
| <b>Status</b>          | production ready        |
| <b>ROHS Compliant</b>  | Yes                     |
| <b>Date Updated</b>    | 25/01/2018              |



### OPTICAL PROPERTIES

| LED | Viewing Angle | Light Beam | Efficiency | cd/lm      | Connector |
|-----|---------------|------------|------------|------------|-----------|
| -   | NA deg        | -          | -          | sim: 0.000 | -         |

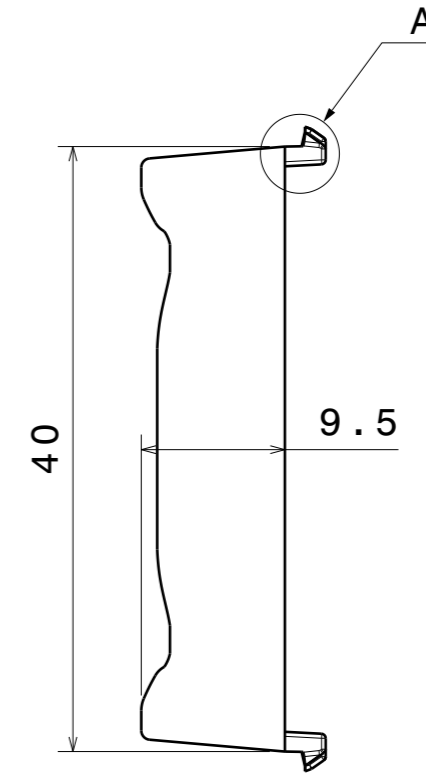
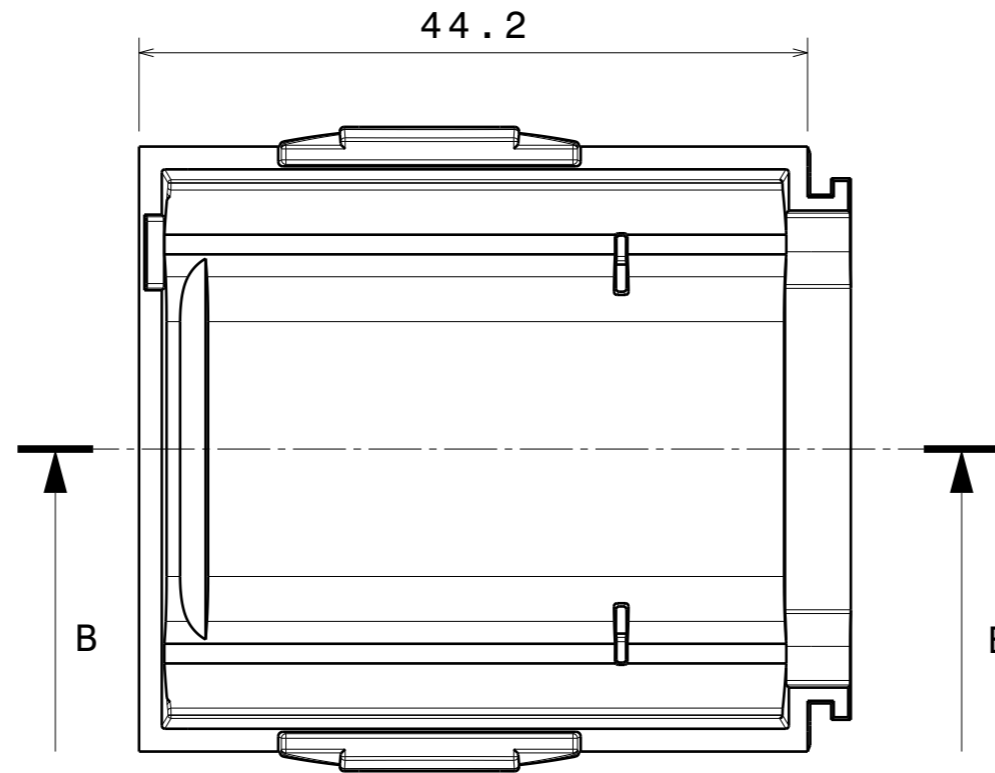
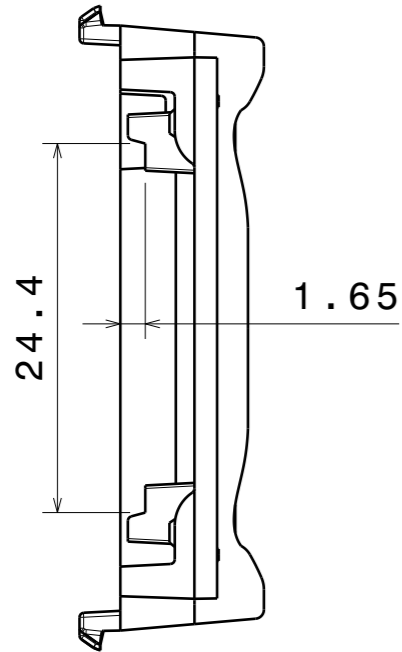
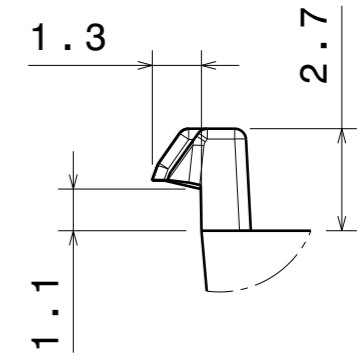
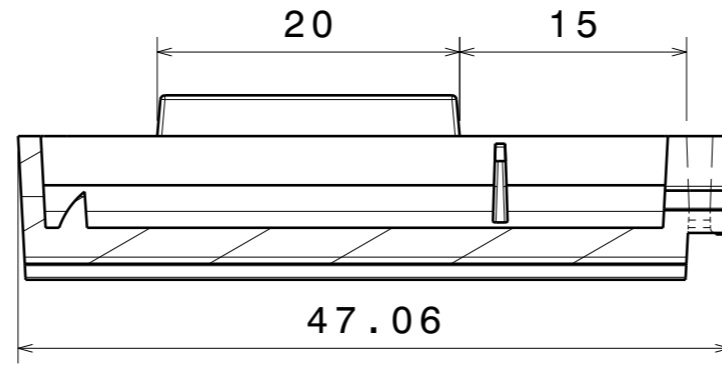
H G F E D C B A



Isometric view  
Scale: 1:1

Section view B-B  
Scale: 2:1

Detail A  
Scale: 5:1



**GENERAL MOULDING TOLERANCES**

| Dimension [mm] | PMMA / PC |
|----------------|-----------|
| >0-6           | ± 0.2     |
| >6-22          | ± 0.25    |
| >22-40         | ± 0.30    |
| >40-90         | ± 0.44    |
| >90-160        | ± 0.60    |
| >160-200       | ± 0.70    |
| >200-315       | ± 1.1     |
| >315           | ± 1.3     |

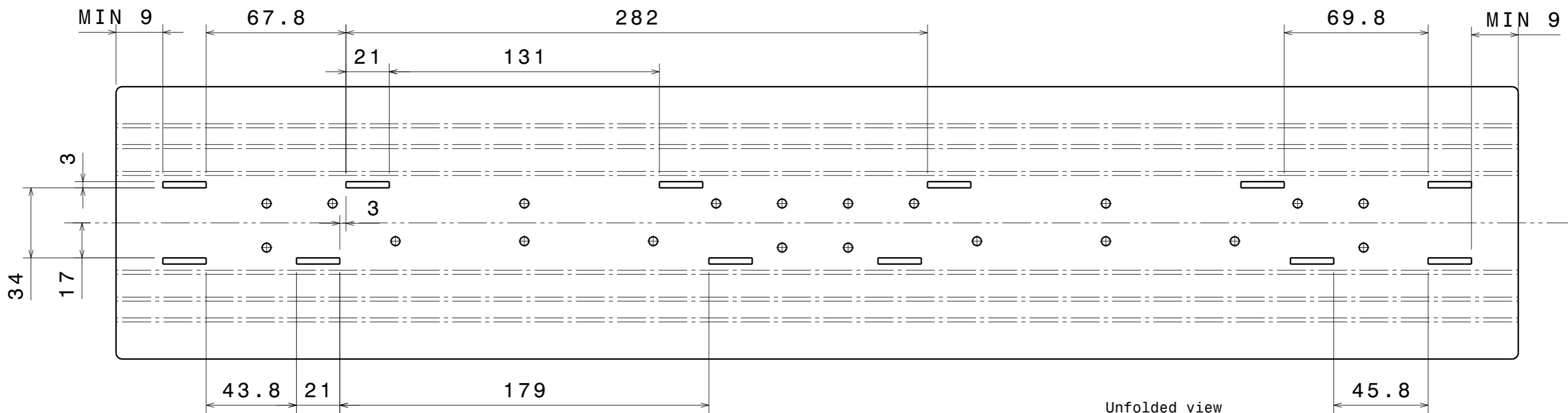
| PART   | TYPE | MATERIAL | COLOR / COATING |
|--------|------|----------|-----------------|
| F16183 |      | PC       | CLEAR           |

| MECHANICAL DRAWING  |                             | <b>LEDiL</b> <sup>®</sup>   |
|---|-----------------------------|---|
| PRODUCT F16183_LINNEA-90-END-FL   |                             |   |
| Tolerances if not otherwise shown<br>According to DIN ISO 2768-1<br>Linear measures: Up to 30mm<br>class M, otherwise class C.<br>According to DIN ISO 2768-2<br>Form and position: class L | FIRST ANGLE PROJECTION:<br> | This drawing is the property of LEDiL Oy. It may not be reproduced, copied or communicated without a written agreement with LEDiL Oy. |
| SCALE 2:1   | WEIGHT 6 g                  | A3 SHEET 1/2  |

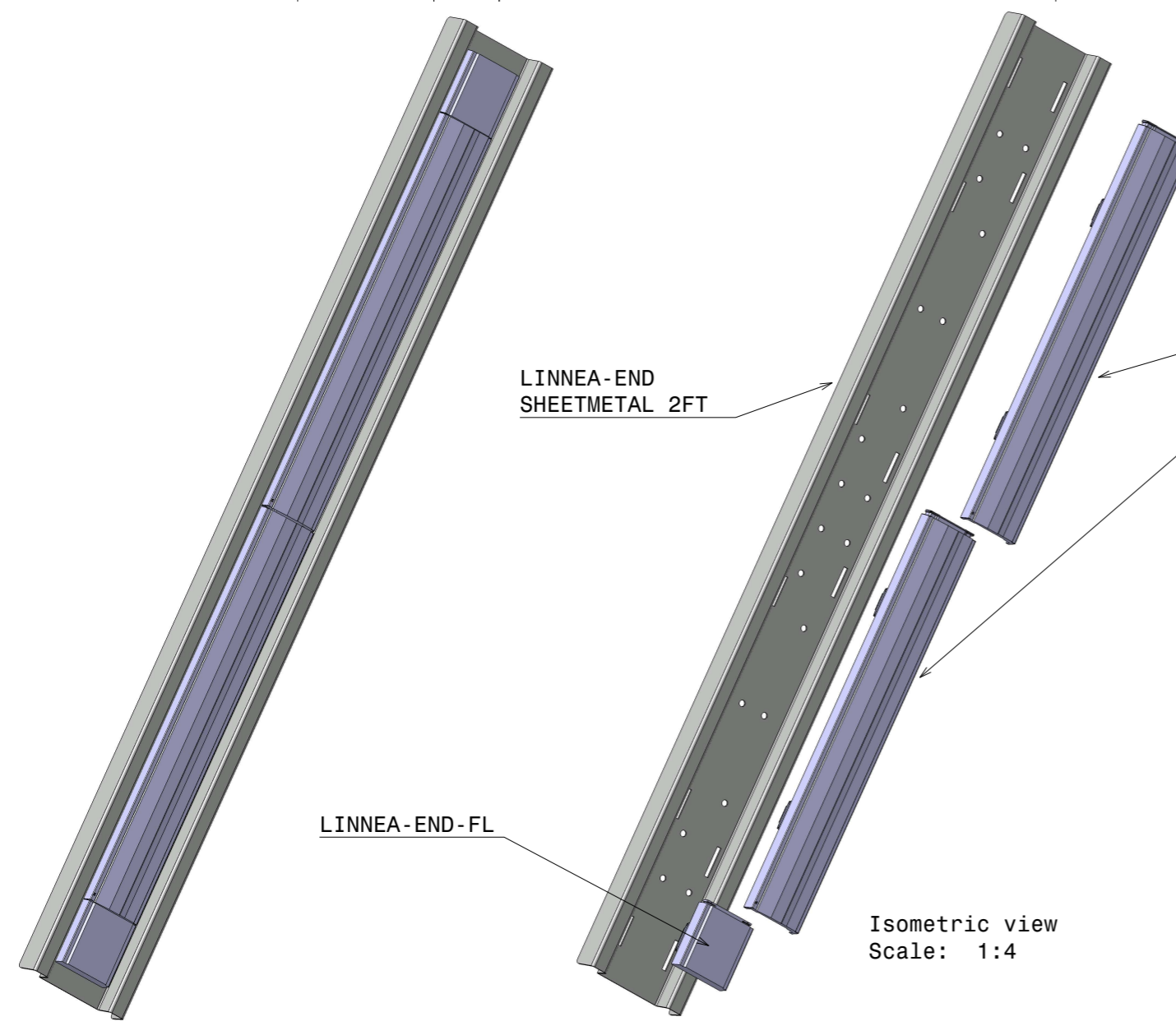
**Notes**

- PCB or heatsink level.
- LED location.
- Ensure LED fitting from a product specific 3D model available from [www.ledil.com](http://www.ledil.com).
- See installation details in page 2.

H G B A



Unfolded view  
Scale: 1:2



Isometric view  
Scale: 1:4

**COMPONENTS**

| INDEX | PART                      | TYPE | MATERIAL | COLOR / COATING |
|-------|---------------------------|------|----------|-----------------|
| 1     | LINNEA-END SHEETMETAL 2FT |      |          |                 |
| 2     | LINNEA                    |      | PC       | clear           |
| 3     | LINNEA-END-FL             |      | PC       | clear           |
| 4     | LINNEA-END-ML             |      | PC       | clear           |

**MECHANICAL DRAWING**

PRODUCT  
**LINNEA-END SHEETMETAL CUT OUT**

Tolerances if not otherwise shown  
According to DIN ISO 2768-1  
Linear measures: Up to 30mm  
class M, otherwise class C.  
According to DIN ISO 2768-2  
Form and position: class L

FIRST ANGLE PROJECTION:

SCALE 1:2      WEIGHT -

**LEDiL®**

This drawing is the property of LEDiL Oy. It may not be reproduced, copied or communicated without a written agreement with LEDiL Oy.

A3 SHEET 2/2

**NOTE: The typical divergence will be changed by different color, chip size and chip position tolerance. The typical total divergence is the full angle measured where the luminous intensity is half of the peak value.**