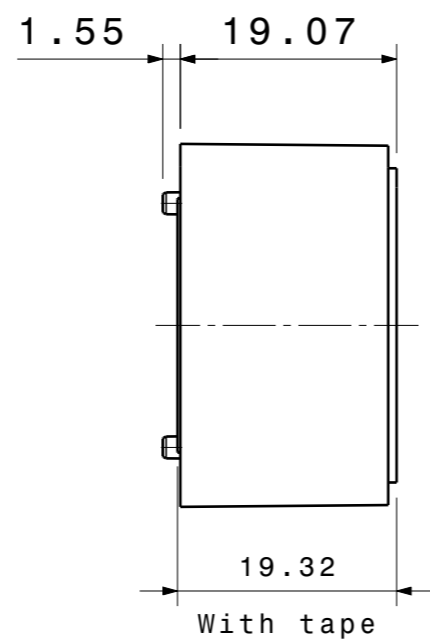
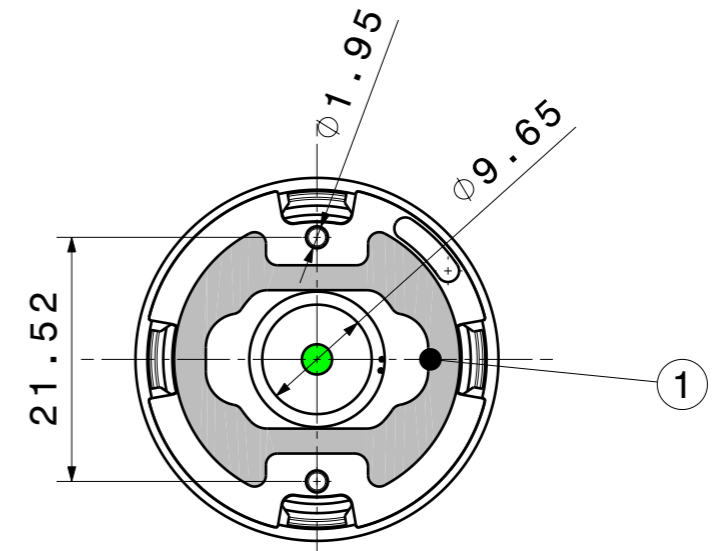


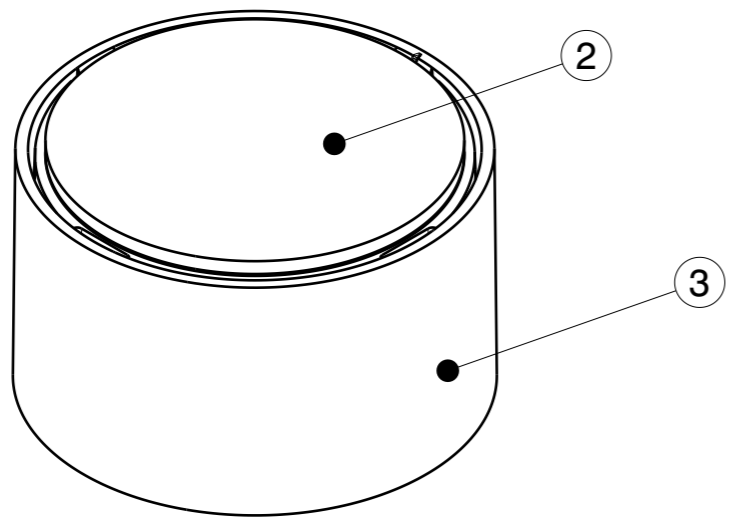
Top view



Front view



Bottom view



Isometric view
Scale 2:1

INDEX	PART	TYPE	MATERIAL	COLOR / COATING
1	C15177_SPUTNIK-TAPE3	TAPE	ADHESIVE TAPE	BLACK
2	C16123_OLGA-S	LENS	PMMA	CLEAR
3	C16126_OLGA-HLD	HOLDER	PC	BLACK

MECHANICAL DRAWING		LEDiL [®]
PRODUCT OLGA-ASSY		
Plastic moulding general tolerances according to DIN 16901-130 and applies if not otherwise shown in the drawing. Silicone moulding general tolerances according to ISO 3302-1 Class M3 and applies if not otherwise shown in the drawing.	FIRST ANGLE PROJECTION: 	This drawing is the property of LEDiL Oy. It may not be copied or otherwise distributed without prior written permission from LEDiL Oy.
SCALE 1:1	WEIGHT -	

Notes

LED location
Ensure LED fitting from a product specific 3D model available from www.ledil.com
For more details about installation please see LEDiL Installation Guide on www.ledil.com

4

4

3

3

2

2

1

1

H

G

B

A