



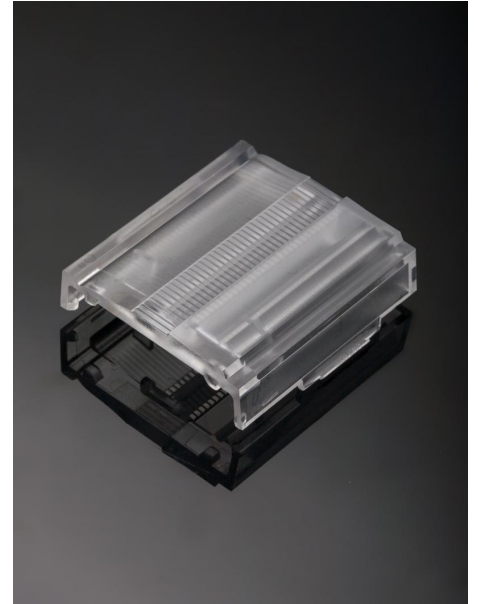
PRODUCT DATASHEET

Linnea series

last update 28/2/2018

DETAILS

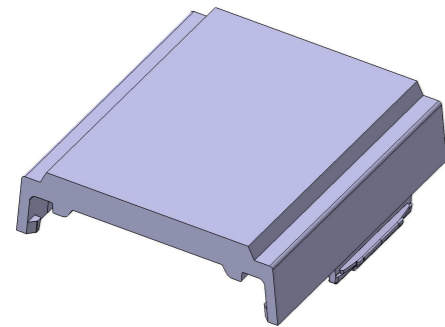
Product Number	F16341_LINNEA-ZT25-END-B-ML
Family	Linnea
Type	Accessory
Color	clear
Diameter	40 mm
Height	11,5 mm
Style	rectang
Optic Material	
Holder Material	
Fastening	clips
Status	production ready
ROHS Compliant	Yes
Date Updated	28/02/2018



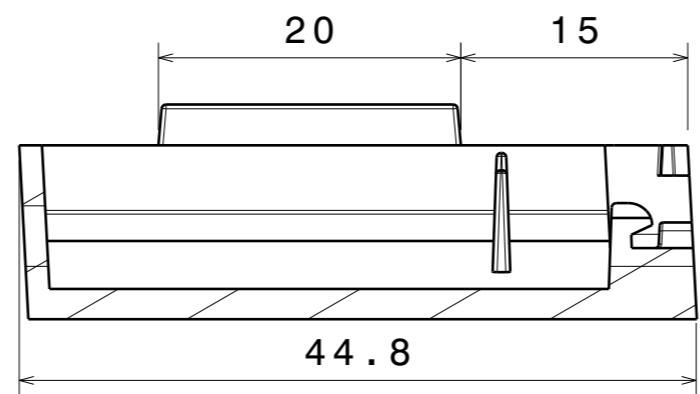
OPTICAL PROPERTIES

LED	Viewing Angle	Light Beam	Efficiency	cd/lm	Connector
-	sim: 0	-	-	sim: 0.000	-

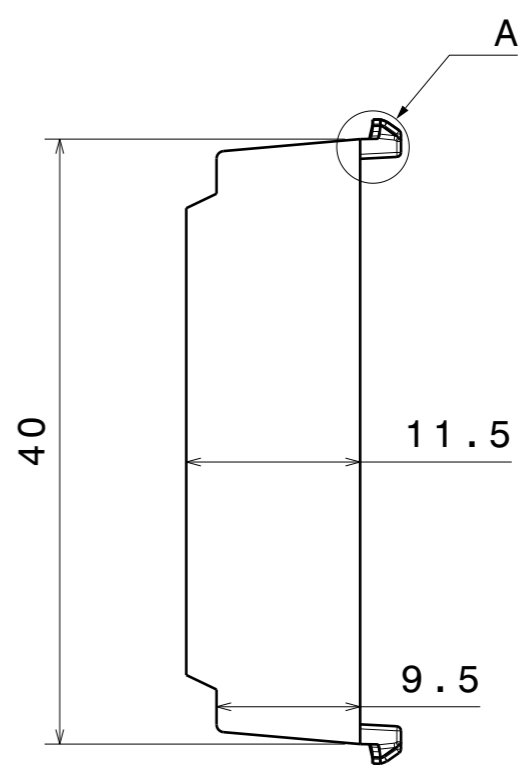
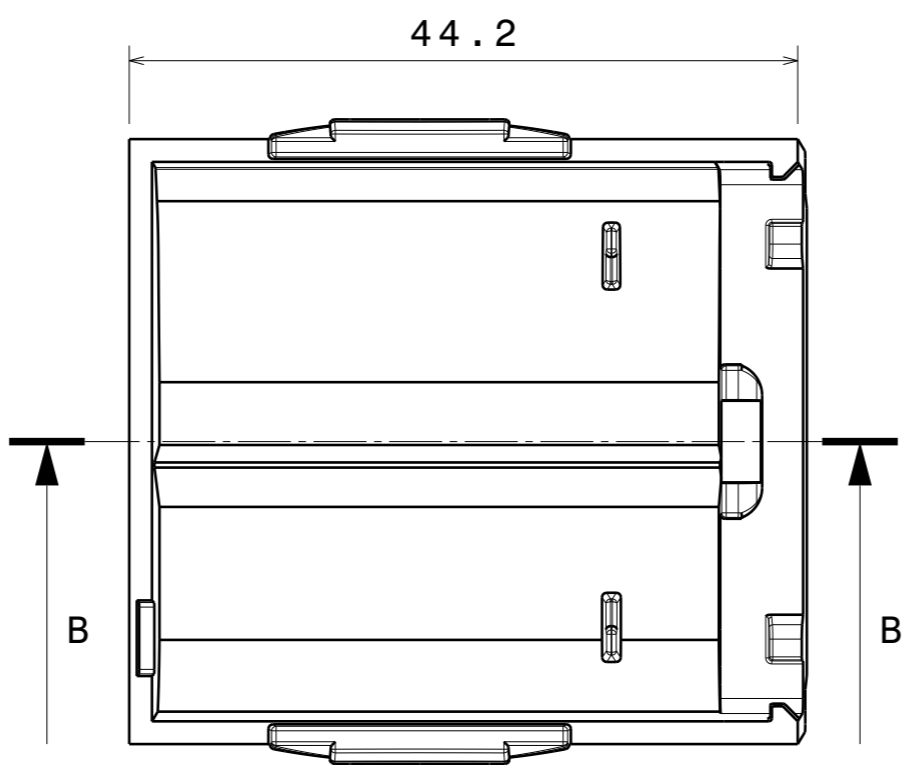
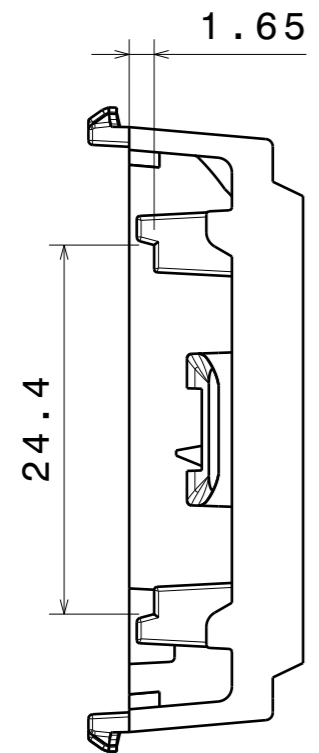
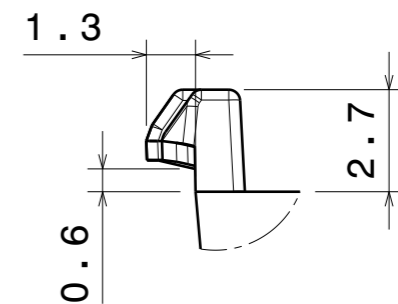
Isometric view
Scale: 1:1



Section view B-B
Scale: 2:1



Detail A
Scale: 5:1



GENERAL MOULDING TOLERANCES

Dimension [mm]	PMMA / PC
>0-6	± 0.2
>6-22	± 0.25
>22-40	± 0.30
>40-90	± 0.44
>90-160	± 0.60
>160-200	± 0.70
>200-315	± 1.1
>315	± 1.3

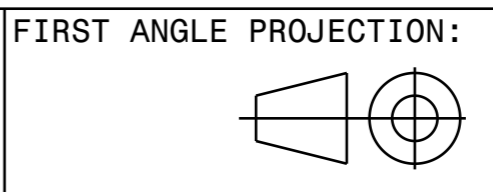
PART	TYPE	MATERIAL	COLOR / COATING
F16341		PC	CLEAR

MECHANICAL DRAWING

PRODUCT
F16341_LINNEA-ZT25-END-B-ML



Tolerances if not otherwise shown
According to DIN ISO 2768-1
Linear measures: Up to 30mm
class M, otherwise class C.
According to DIN ISO 2768-2
Form and position: class L

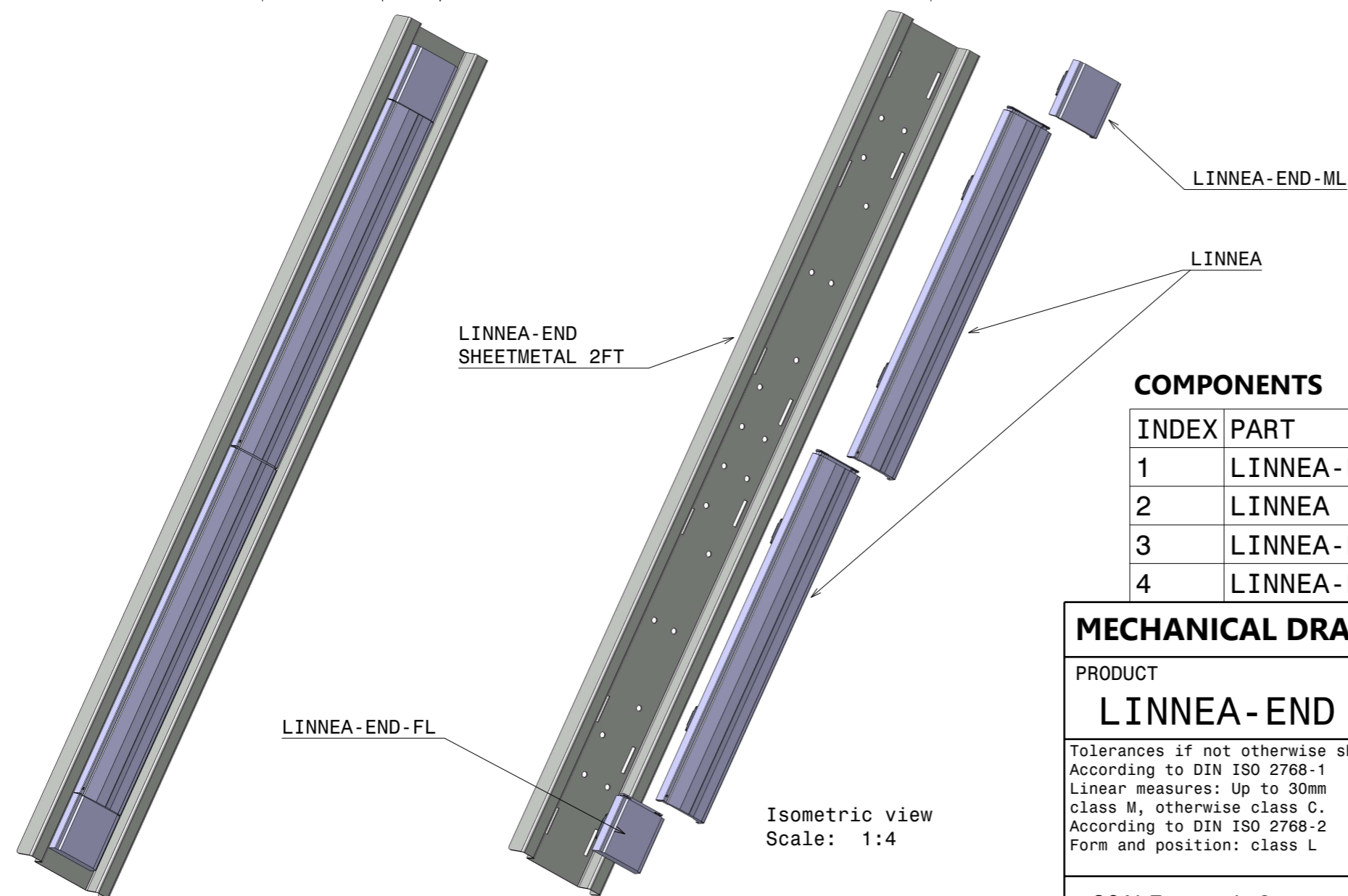
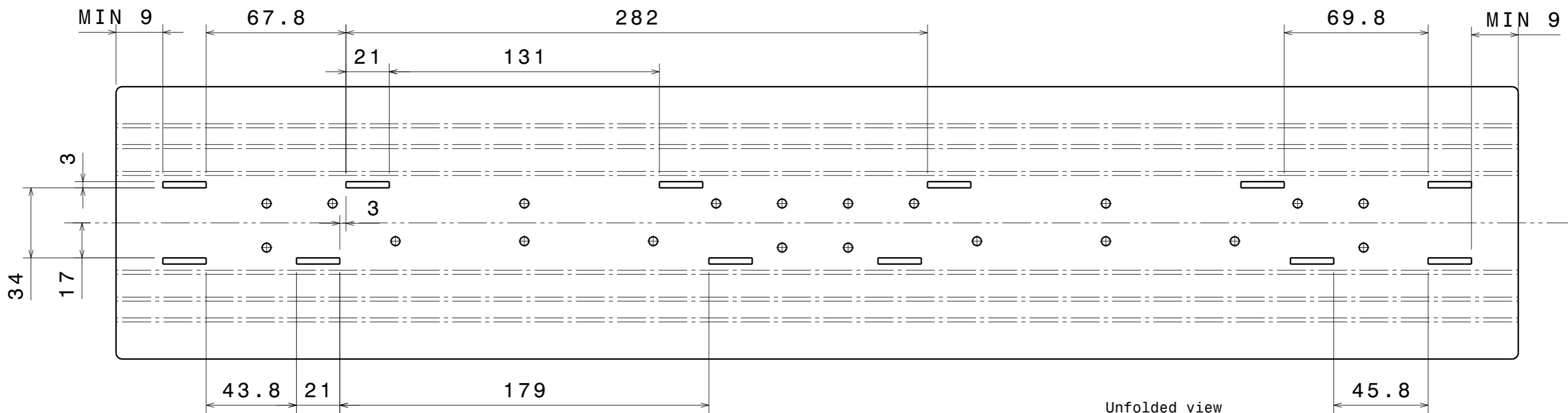


This drawing is the property of LEDiL Oy. It may not be reproduced, copied or communicated without a written agreement with LEDiL Oy.

SCALE 2:1	WEIGHT 8 g	A3 SHEET 1/2
-----------	------------	--------------

Notes

●	PCB or heatsink level.
●	LED location.
	Ensure LED fitting from a product specific 3D model available from www.ledil.com .
	See installation details in page 2.



COMPONENTS

INDEX	PART	TYPE	MATERIAL	COLOR / COATING
1	LINNEA-END SHEETMETAL 2FT			
2	LINNEA		PC	clear
3	LINNEA-END-FL		PC	clear
4	LINNEA-END-ML		PC	clear

MECHANICAL DRAWING		LEDiL [®]
PRODUCT LINNEA-END SHEETMETAL CUT OUT		
Tolerances if not otherwise shown According to DIN ISO 2768-1 Linear measures: Up to 30mm class M, otherwise class C. According to DIN ISO 2768-2 Form and position: class L	FIRST ANGLE PROJECTION: 	This drawing is the property of LEDiL Oy. It may not be reproduced, copied or communicated without a written agreement with LEDiL Oy.
SCALE 1:2	WEIGHT -	

LEDiL[®]

This drawing is the property of LEDiL Oy. It may not be reproduced, copied or communicated without a written agreement with LEDiL Oy.

NOTE: The typical divergence will be changed by different color, chip size and chip position tolerance. The typical total divergence is the full angle measured where the luminous intensity is half of the peak value.