



# PRODUCT DATASHEET

## Linnea series

last update 28/2/2018

### DETAILS

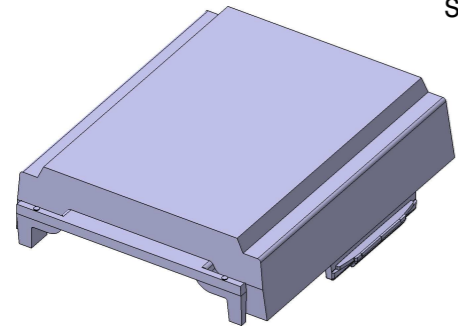
<b>Product Number</b>	F16342_LINNEA-ZT25-END-B-FL
<b>Family</b>	Linnea
<b>Type</b>	Accessory
<b>Color</b>	clear
<b>Diameter</b>	40 mm
<b>Height</b>	11,5 mm
<b>Style</b>	rectang
<b>Optic Material</b>	
<b>Holder Material</b>	
<b>Fastening</b>	clips
<b>Status</b>	production ready
<b>ROHS Compliant</b>	Yes
<b>Date Updated</b>	28/02/2018



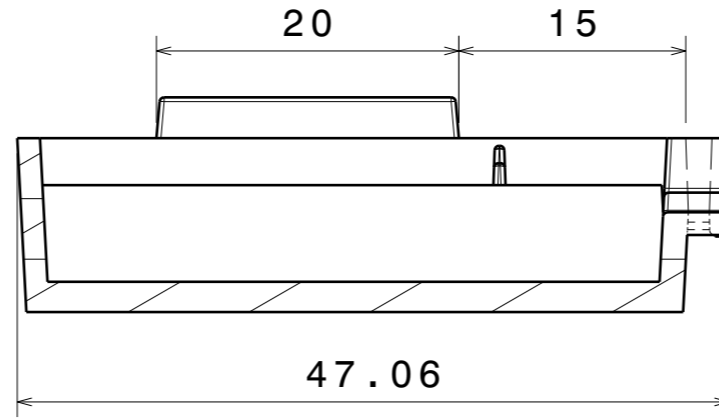
### OPTICAL PROPERTIES

LED	Viewing Angle	Light Beam	Efficiency	cd/lm	Connector
-	sim: 0	-	-	sim: 0.000	-

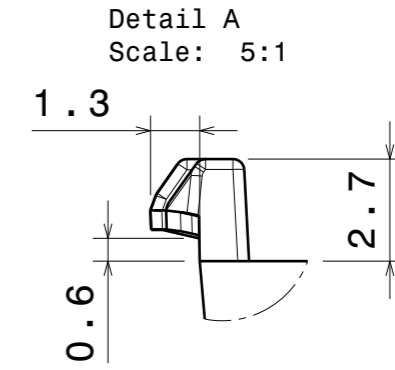
H G F E D C B A



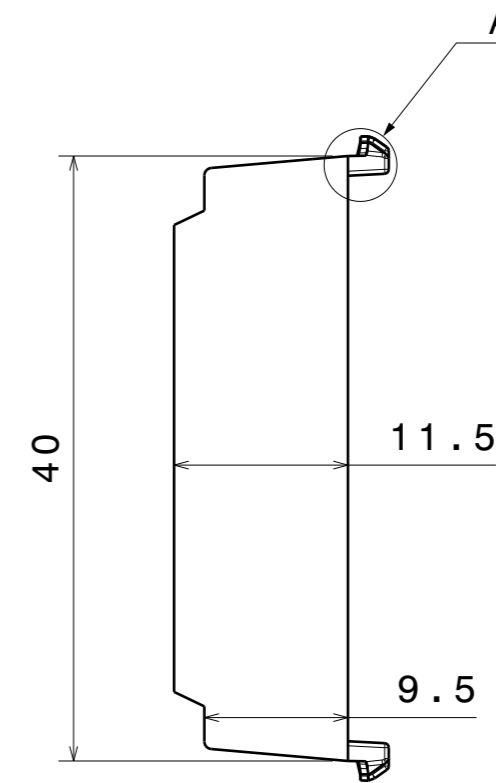
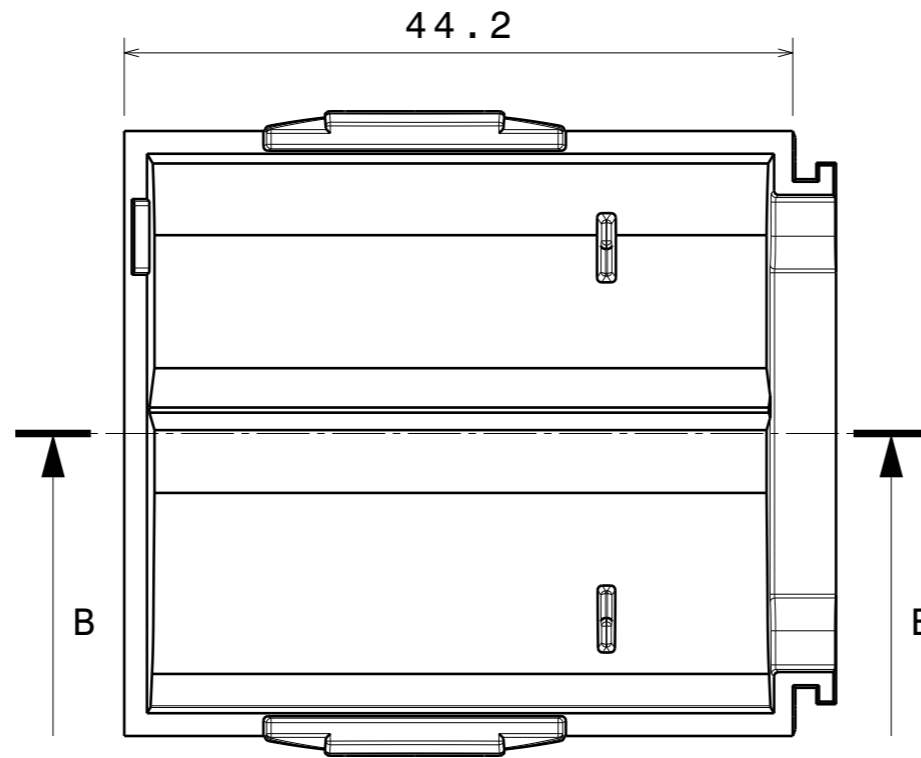
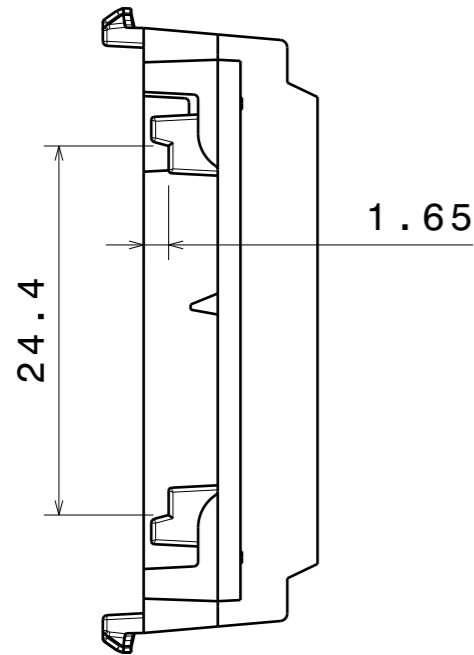
Isometric view  
Scale: 1:1



Section view B-B  
Scale: 2:1



Detail A  
Scale: 5:1



**GENERAL MOULDING TOLERANCES**

Dimension [mm]	PMMA / PC
>0-6	± 0.2
>6-22	± 0.25
>22-40	± 0.30
>40-90	± 0.44
>90-160	± 0.60
>160-200	± 0.70
>200-315	± 1.1
>315	± 1.3

PART	TYPE	MATERIAL	COLOR / COATING
F16342		PC	CLEAR

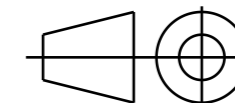
**MECHANICAL DRAWING**

PRODUCT  
**F16342\_LINNEA-ZT25-END-B-FL**

**LEDiL®**

Tolerances if not otherwise shown  
According to DIN ISO 2768-1  
Linear measures: Up to 30mm  
class M, otherwise class C.  
According to DIN ISO 2768-2  
Form and position: class L

FIRST ANGLE PROJECTION:



This drawing is the property of LEDiL Oy. It may not be reproduced, copied or communicated without a written agreement with LEDiL Oy.

SCALE 2:1

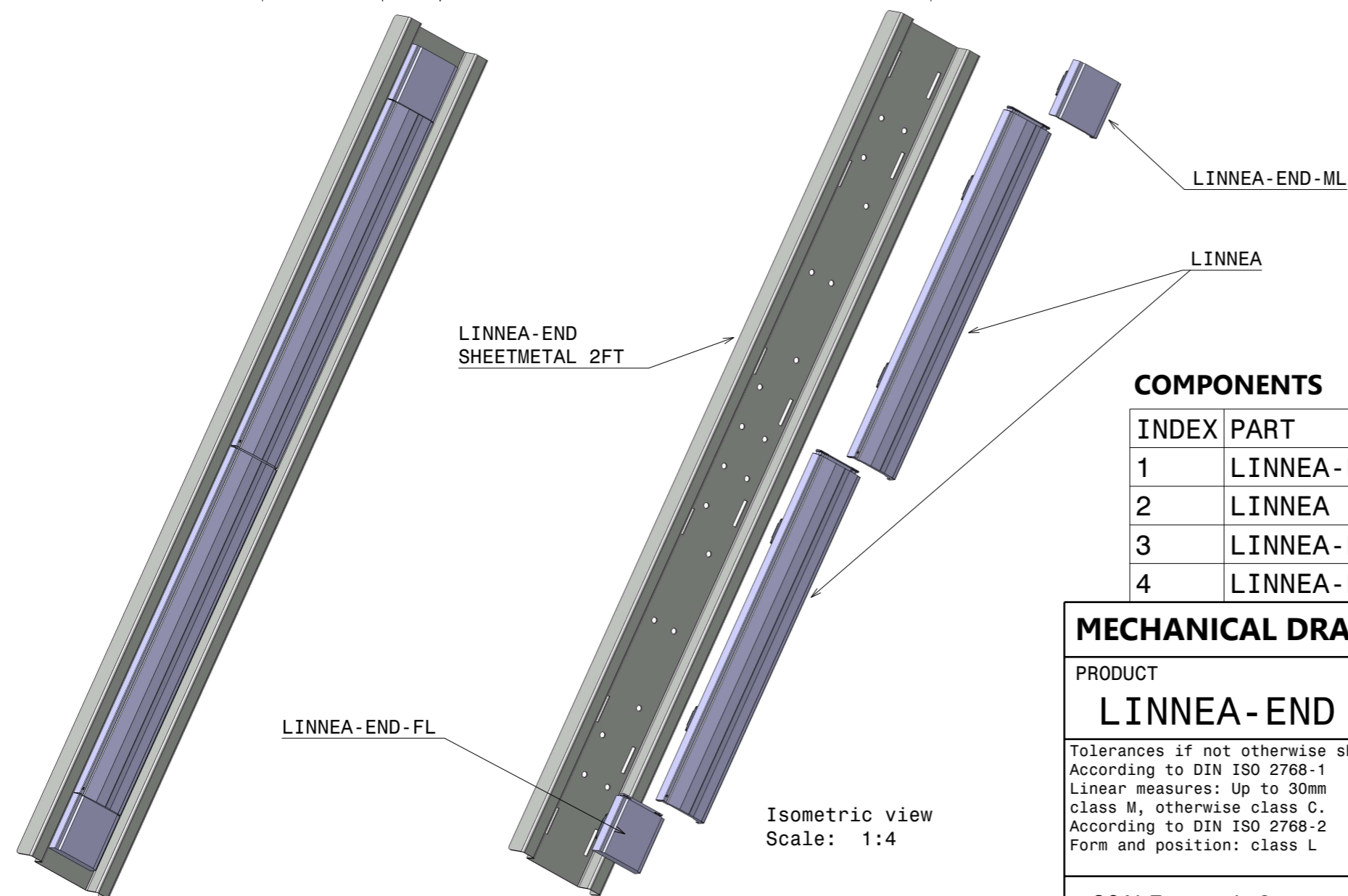
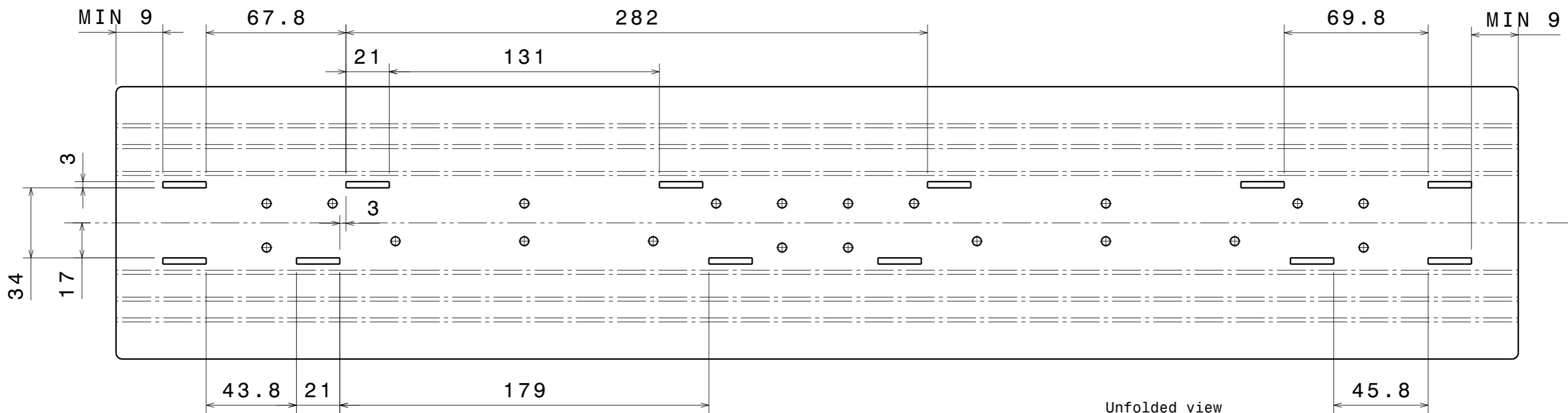
WEIGHT 8 g

A3 SHEET 1/2

**Notes**

- PCB or heatsink level.
- LED location.
- Ensure LED fitting from a product specific 3D model available from [www.ledil.com](http://www.ledil.com).
- See installation details in page 2.

H G B A



**COMPONENTS**

INDEX	PART	TYPE	MATERIAL	COLOR / COATING
1	LINNEA-END SHEETMETAL 2FT			
2	LINNEA		PC	clear
3	LINNEA-END-FL		PC	clear
4	LINNEA-END-ML		PC	clear

<b>MECHANICAL DRAWING</b>		<b>LEDiL</b> <sup>®</sup>
PRODUCT <b>LINNEA-END SHEETMETAL CUT OUT</b>		
Tolerances if not otherwise shown According to DIN ISO 2768-1 Linear measures: Up to 30mm class M, otherwise class C. According to DIN ISO 2768-2 Form and position: class L	FIRST ANGLE PROJECTION: 	This drawing is the property of LEDiL Oy. It may not be reproduced, copied or communicated without a written agreement with LEDiL Oy.
SCALE 1:2	WEIGHT -	

This drawing is the property of LEDiL Oy. It may not be reproduced, copied or communicated without a written agreement with LEDiL Oy.

**NOTE: The typical divergence will be changed by different color, chip size and chip position tolerance. The typical total divergence is the full angle measured where the luminous intensity is half of the peak value.**