



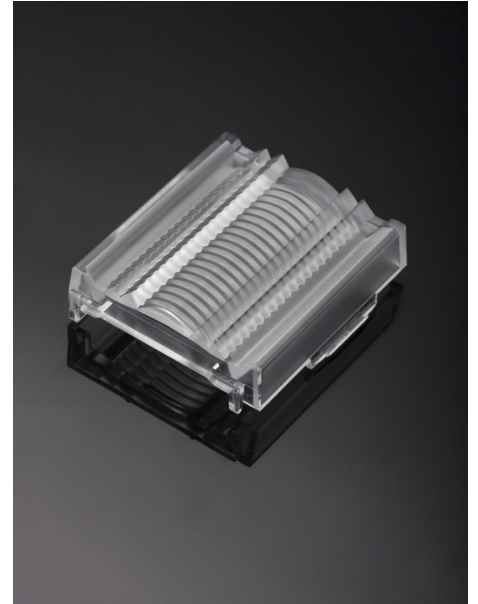
PRODUCT DATASHEET

Linnea series

last update 28/3/2018

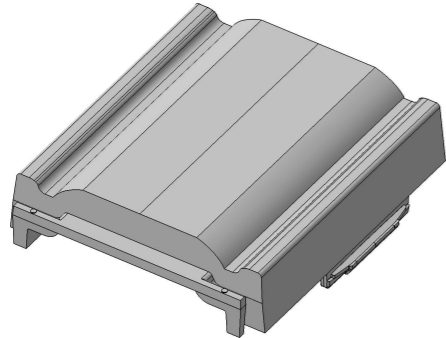
DETAILS

Product Number	F16454_LINNEA-60-END-B-FL
Family	Linnea
Type	Accessory
Color	clear
Diameter	40 mm
Height	9,5 mm
Style	rectang
Optic Material	
Holder Material	
Fastening	clips
Status	production ready
ROHS Compliant	Yes
Date Updated	28/03/2018

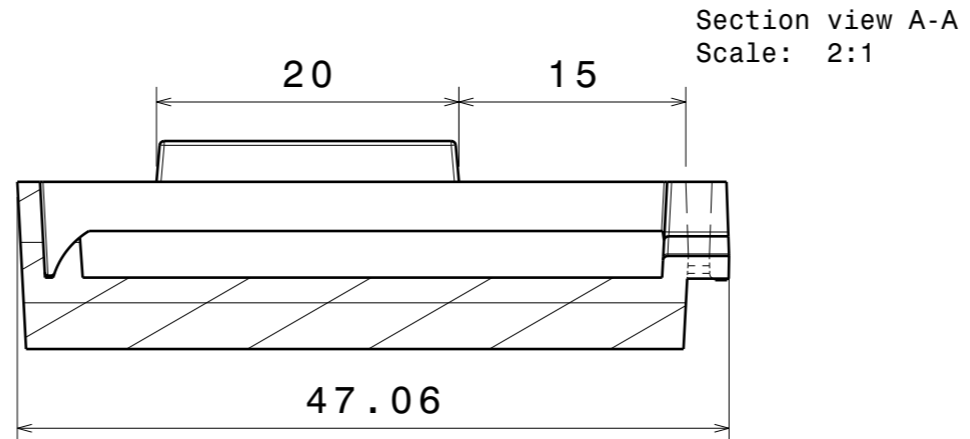


OPTICAL PROPERTIES

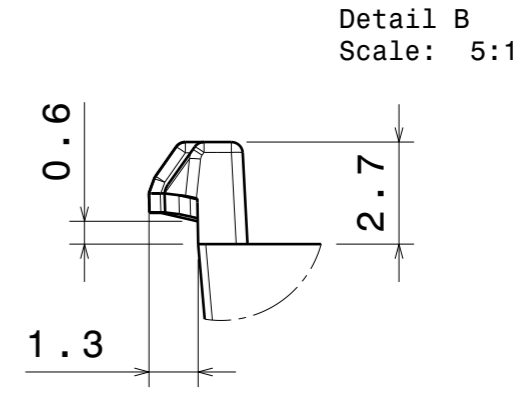
LED	Viewing Angle	Light Beam	Efficiency	cd/lm	Connector
-	sim: 0	-	-	sim: 0.000	-



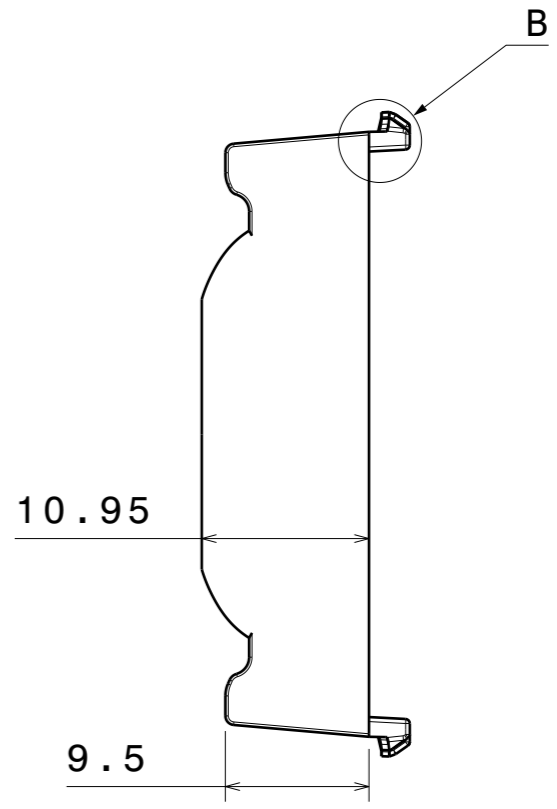
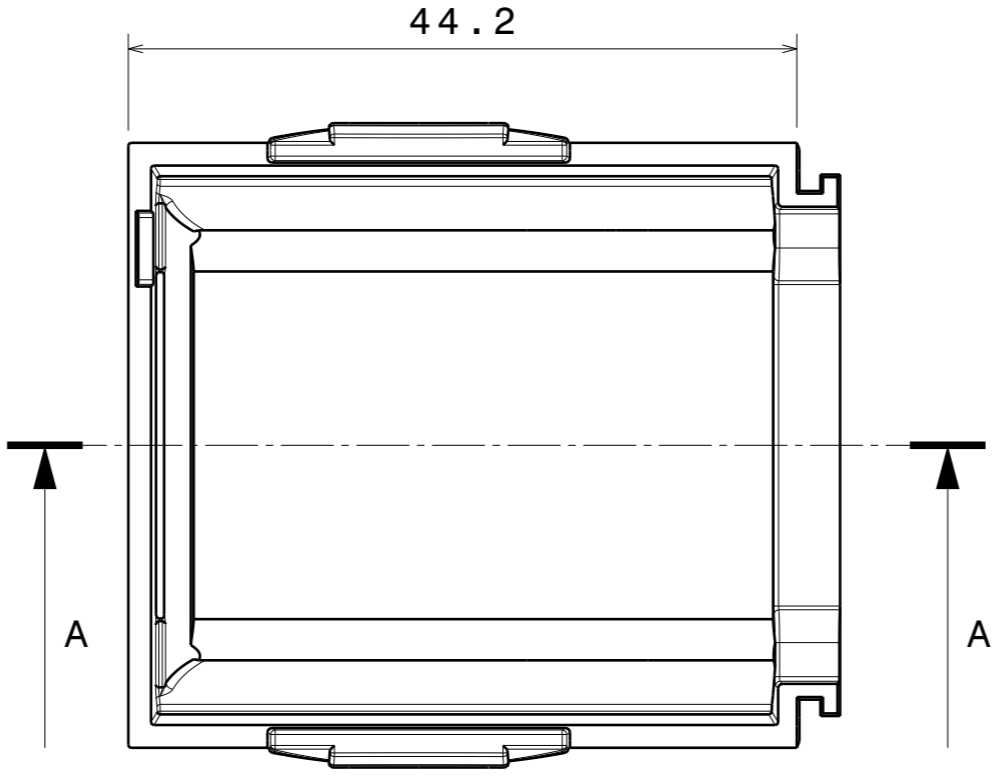
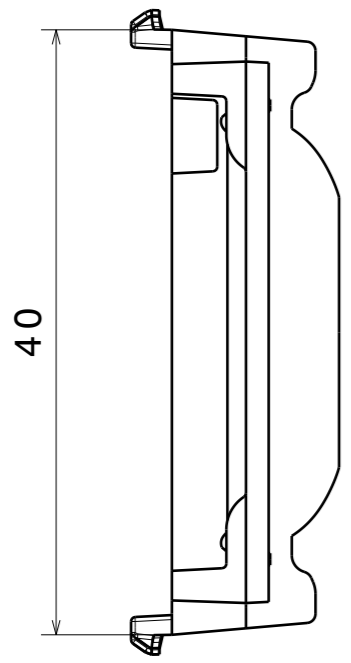
Isometric view
Scale: 1:1



Section view A-A
Scale: 2:1



Detail B
Scale: 5:1

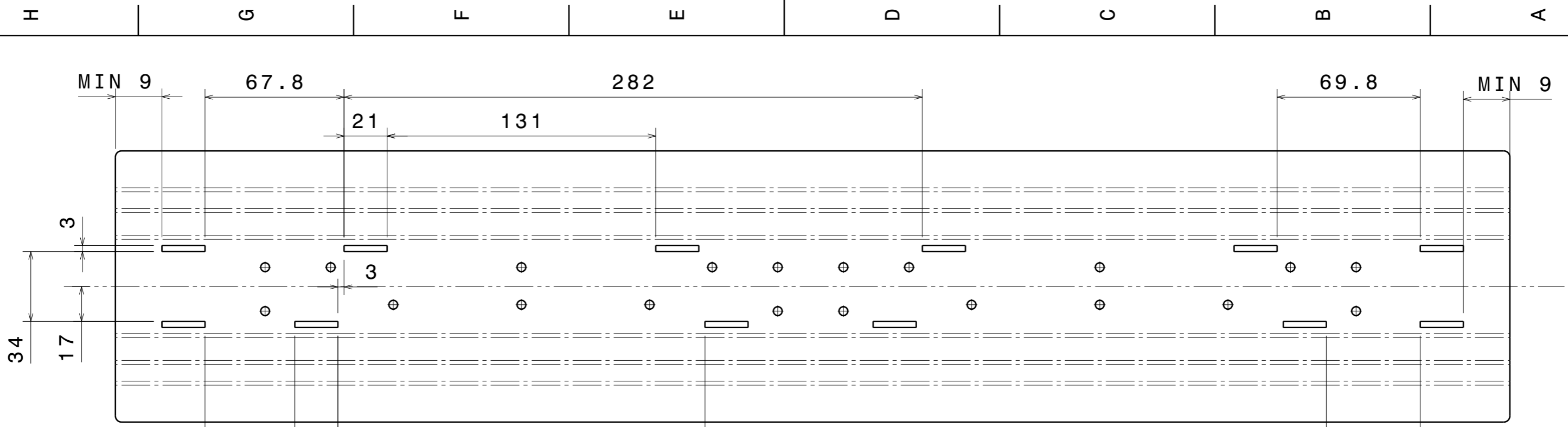


PART	TYPE	MATERIAL	COLOR / COATING
F16454		PC	clear

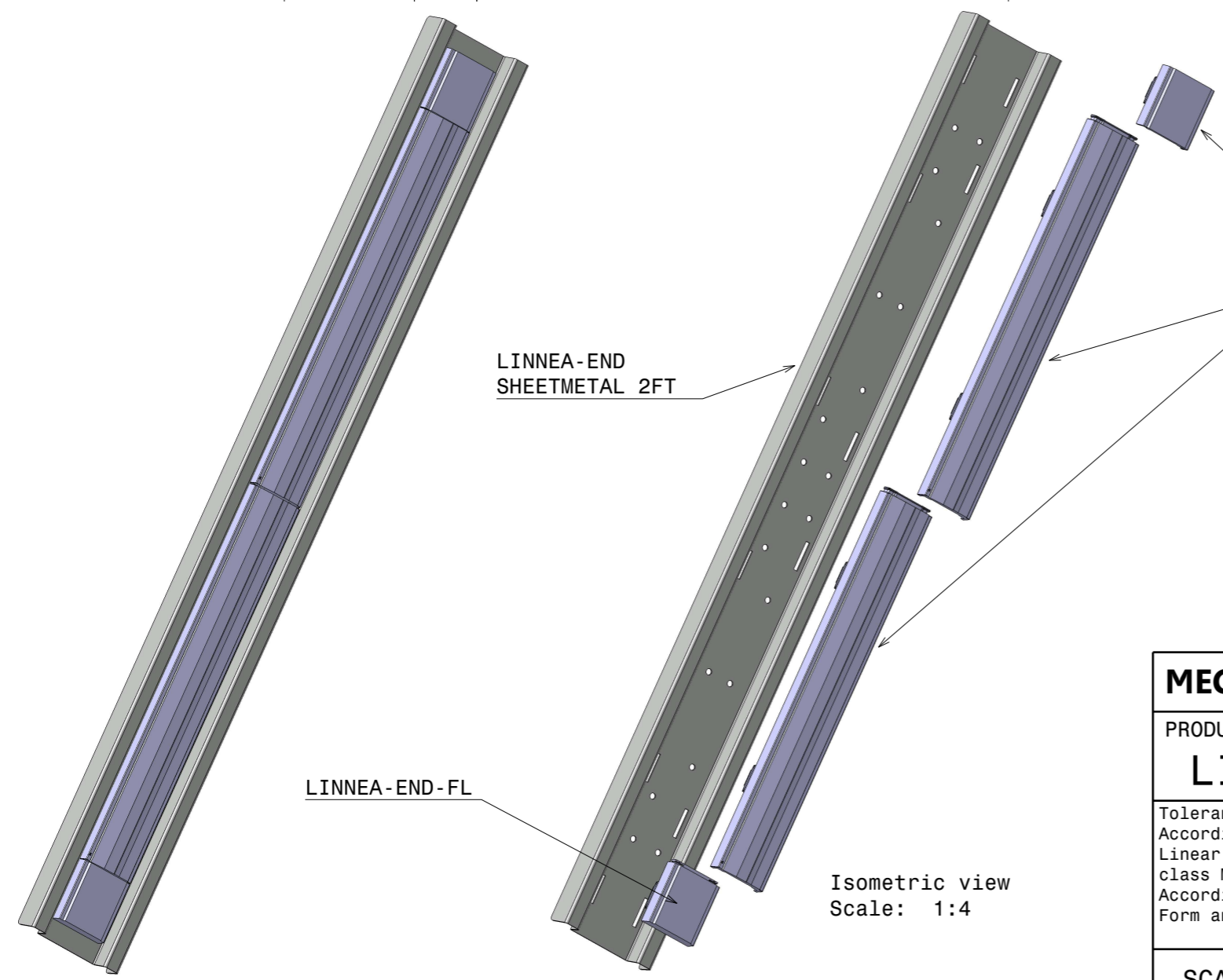
MECHANICAL DRAWING		LEDiL®
PRODUCT F16454_LINNEA-60-END-B-FL		
Plastic moulding general tolerances according to DIN 16901-130 and applies if not otherwise shown in the drawing. Silicone moulding general tolerances according to ISO 3302-1 Class M3 and applies if not otherwise shown in the drawing.	FIRST ANGLE PROJECTION: 	This drawing is the property of LEDiL Oy. It may not be copied or otherwise distributed without prior written permission from LEDiL Oy.
SCALE 2:1	WEIGHT 7,7 g	A3 SHEET 1/2

Notes

- PCB or heatsink level.
- LED location
- Ensure LED fitting from a product specific 3D model available from www.ledil.com
- For more details about installation please see LEDiL Installation Guide on www.ledil.com

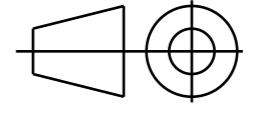


Unfolded view
Scale: 1:2



COMPONENTS

INDEX	PART	TYPE	MATERIAL	COLOR / COATING
1	LINNEA-END SHEETMETAL 2FT			
2	LINNEA		PC	clear
3	LINNEA-END-FL		PC	clear
4	LINNEA-END-ML		PC	clear

MECHANICAL DRAWING	
PRODUCT LINNEA-END SHEETMETAL CUT OUT	
Tolerances if not otherwise shown According to DIN ISO 2768-1 Linear measures: Up to 30mm class M, otherwise class C. According to DIN ISO 2768-2 Form and position: class L	FIRST ANGLE PROJECTION: 
SCALE 1:2	WEIGHT -

LEDiL®

This drawing is the property of LEDiL Oy. It may not be reproduced, copied or communicated without a written agreement with LEDiL Oy.

A3 SHEET 2/2

NOTE: The typical divergence will be changed by different color, chip size and chip position tolerance. The typical total divergence is the full angle measured where the luminous intensity is half of the peak value.