



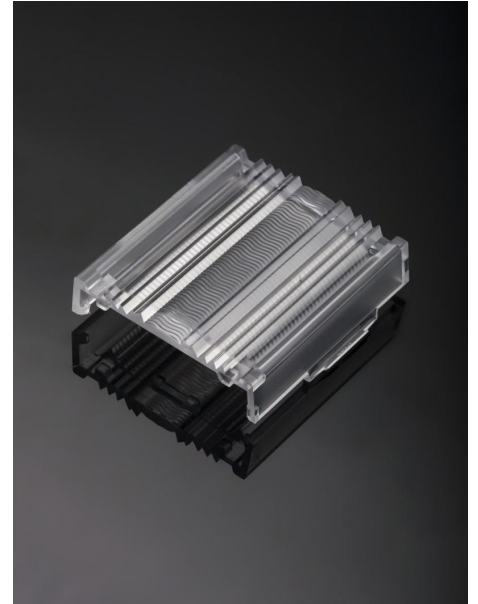
# PRODUCT DATASHEET

## Linnea series

last update 28/3/2018

### DETAILS

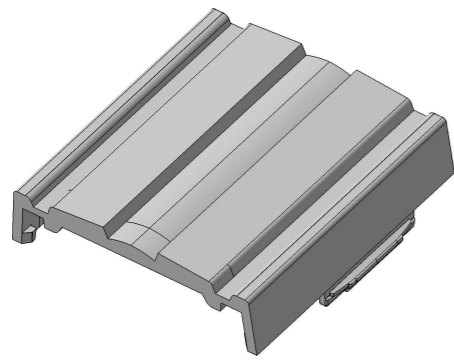
<b>Product Number</b>	F16316_LINNEA-O-END-B-ML
<b>Family</b>	Linnea
<b>Type</b>	Accessory
<b>Color</b>	clear
<b>Diameter</b>	40 mm
<b>Height</b>	9,5 mm
<b>Style</b>	rectang
<b>Optic Material</b>	
<b>Holder Material</b>	
<b>Fastening</b>	clips
<b>Status</b>	production ready
<b>ROHS Compliant</b>	Yes
<b>Date Updated</b>	28/03/2018



### OPTICAL PROPERTIES

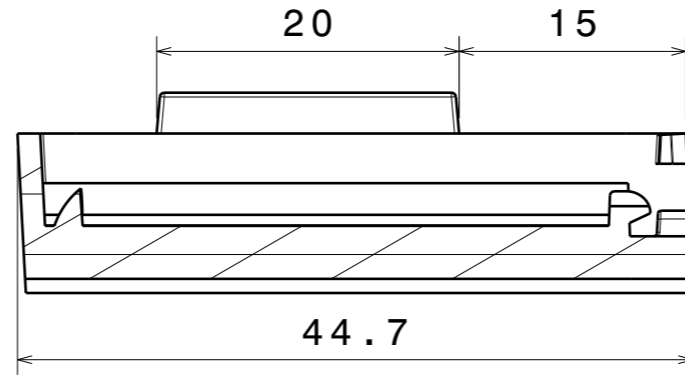
LED	Viewing Angle	Light Beam	Efficiency	cd/lm	Connector
-	sim: 0	-	-	sim: 0.000	-

H G F E D C B A

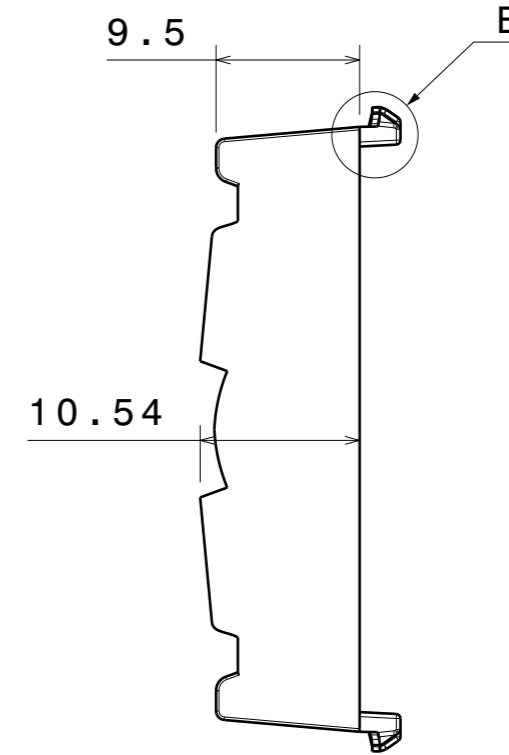
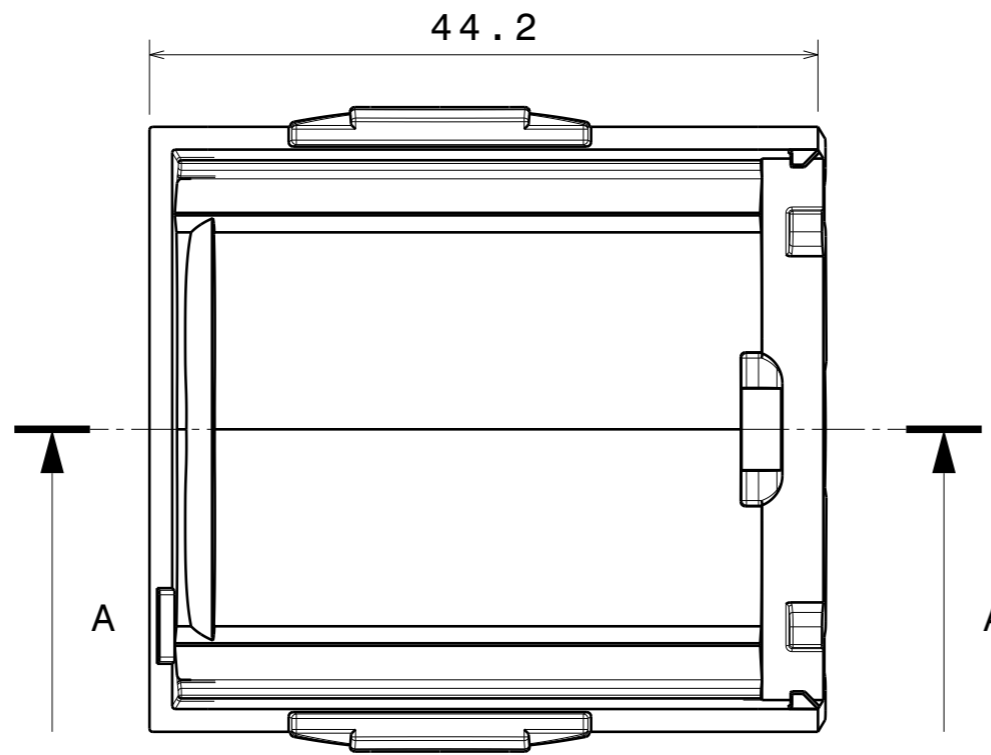
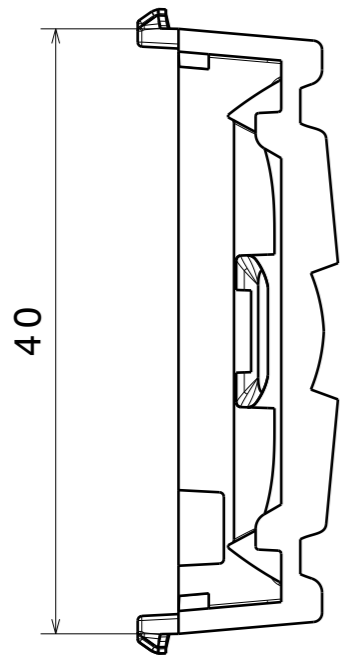
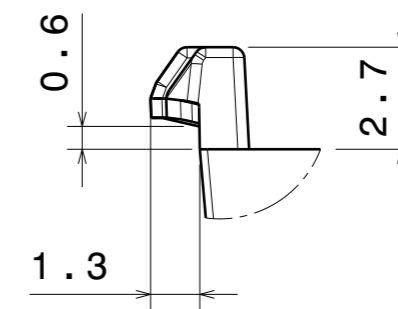


Isometric view  
Scale: 1:1

Section view A-A  
Scale: 2:1



Detail B  
Scale: 5:1



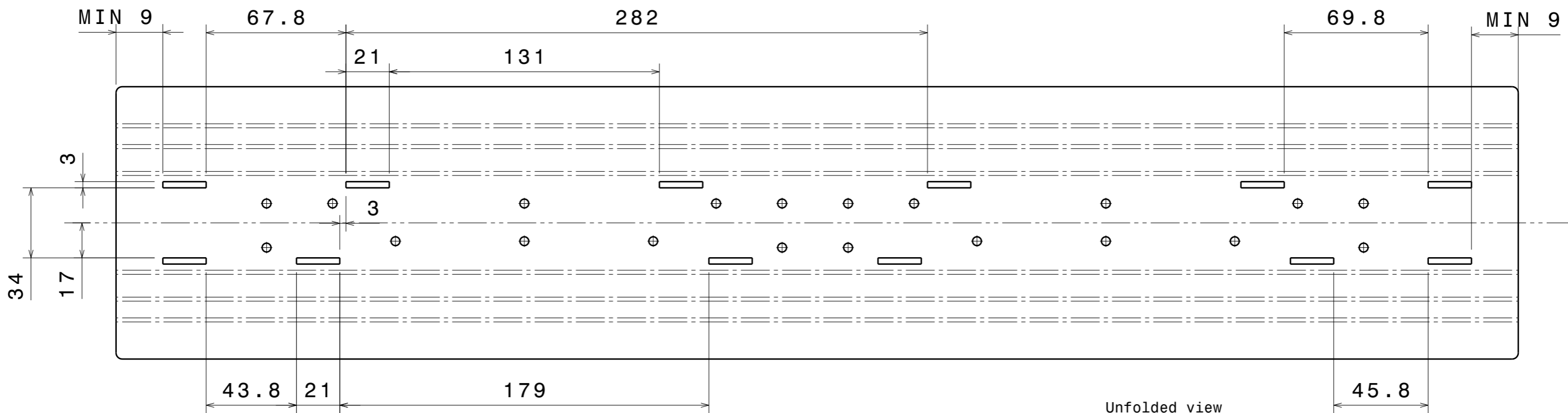
PART	TYPE	MATERIAL	COLOR / COATING
F16316		PC	clear

<b>MECHANICAL DRAWING</b>		<b>LEDiL®</b>
PRODUCT <b>F16316_LINNEA-0-END-B-ML</b>		
Plastic moulding general tolerances according to DIN 16901-130 and applies if not otherwise shown in the drawing. Silicone moulding general tolerances according to ISO 3302-1 Class M3 and applies if not otherwise shown in the drawing.	FIRST ANGLE PROJECTION: 	This drawing is the property of LEDiL Oy. It may not be copied or otherwise distributed without prior written permission from LEDiL Oy.
SCALE 2:1	WEIGHT 7,3 g	A3 SHEET 1/2

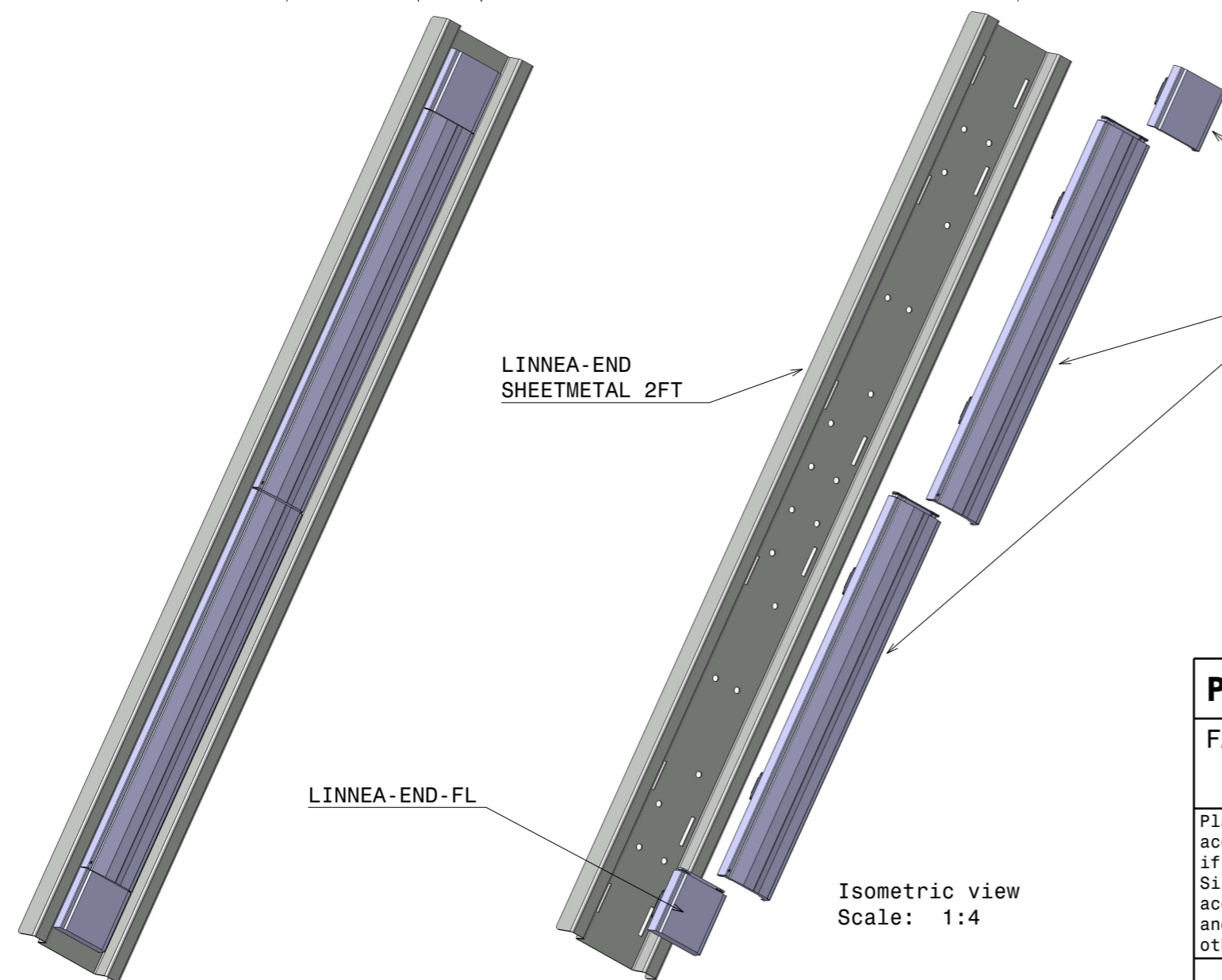
**Notes**

- PCB or heatsink level.
- LED location
- Ensure LED fitting from a product specific 3D model available from [www.ledil.com](http://www.ledil.com)
- For more details about installation please see LEDiL Installation Guide on [www.ledil.com](http://www.ledil.com)

@ A B A



Unfolded view  
Scale: 1:2



Isometric view  
Scale: 1:4

LINNEA-END-ML

LINNEA

LINNEA-END-SHEETMETAL 2FT

LINNEA-END-FL

Product1\_  
**COMPONENTS**

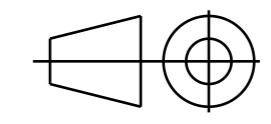
INDEX	PART	TYPE	MATERIAL	COLOR / COATING
1	LINNEA-END-SHEETMETAL_			
2	LINNEA		PC	clear
3	LINNEA		PC	clear
4	LINNEA-END-FL		PC	clear
5	LINNEA-END-ML		PC	clear

**PRODUCTION DRAWING**

FAMILY  
**LINNEA**

Plastic moulding general tolerances according to DIN 16901-130 and applies if not otherwise shown in the drawing. Silicone moulding general tolerances according to ISO 3302-1:2014(E)-M2 and applies if not otherwise shown in the drawing.

FIRST ANGLE PROJECTION:



**LEDiL**®

This drawing is the property of LEDiL Oy. It may not be copied or otherwise distributed without prior written permission from LEDiL Oy.

SCALE 1:2

WEIGHT -

A3 SHEET 2/2

**NOTE: The typical divergence will be changed by different color, chip size and chip position tolerance. The typical total divergence is the full angle measured where the luminous intensity is half of the peak value.**