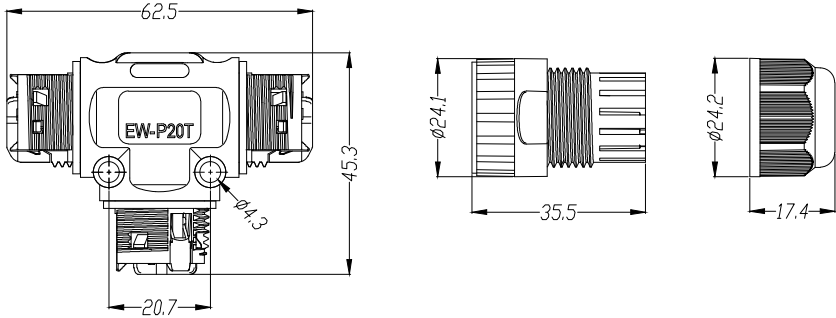
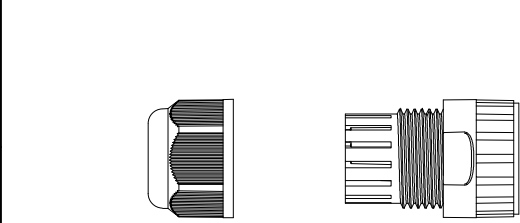


REV	DESCRIPTION	DESIGN	DATE
AO	NEW DRAWING	EDDIE	2022.03.31

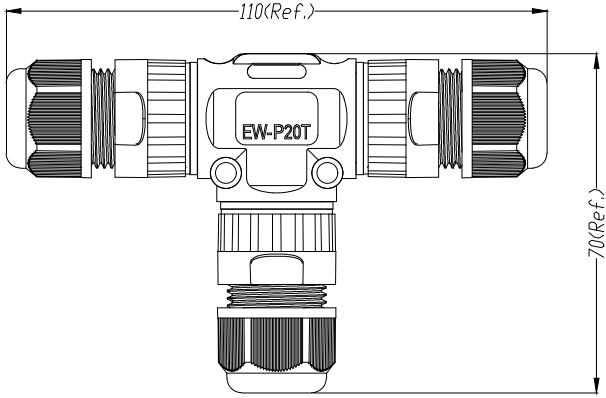
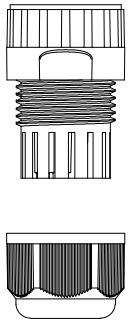
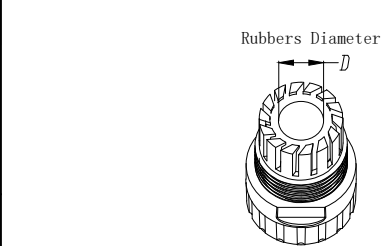
Raw Material	PA66、COPPER ALLOY、SILICONE
CERTIFICATION	CQC/TUV/RoHS/CE
Flame-resistant rating	UL94 V-2
Level of protection	IP68
Voltage rating/Current rating	56V / 16A
Withstanding voltage	1000V
Cable gague	0.5mm ² ~2.5mm ²
Operating temperature	-40℃ ~+105℃



3Pin



Part Number	Rubbers Diameter	Outer Cable Diameter
EW-P20T-03302BB11	∅11.5mm	∅9-12mm
EW-P20T-03302BB8	∅8.5mm	∅5-9mm



Weight	MEAS	Each carton number	G. W.
61g	42x30x34cm	250 pcs	17.5kg

TOLERANCE UNSPECIFIED			
X. ±0.35	X.XX ±0.10	X.° ±3°	
X.X ±0.20	X.XXX ±0.05	X.X° ±2°	
		X.XX° ±1°	

UNIT	mm	DRAW	EDDIE / 2022.03.31	PART NO	EW-P20T-03302BB##	
SCALE	1:1	CHKD		DWG NO	EW-P20T-03302BB##	
SHEET	1/1	APPD		TITLE	EW-P20T-3P_WATERPROOF_CONNECTOR	