

产品参数 Specifications

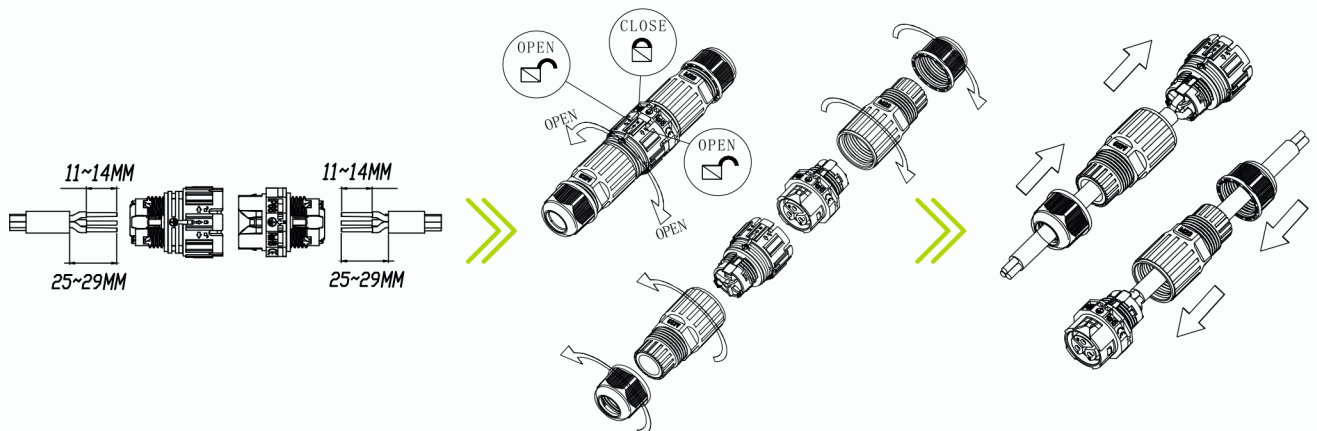
芯数 Number of Poles	2Pin	3Pin
额定电压 Rated Voltage	450V	450V
额定电流 Rated Current	16A	16A
接线范围 Wire Section	0.5-2.5mm ²	
外线直径 Outer Cable Diameter	5-9mm,9-12mm	
可插拨次数 Mating Cycle	1500 Mating Cycles	
环境温度 Temperature Range	-40°C~+105°C	
防水等级 IP Code	IP68	
外壳材质 Housing Materials	PA66	
端子材质 Contact/Terminal Material	铜合金 Copper Alloy	

产品料号 Part No

Pin位分布 Number of Poles	料号 Part No.
2Pin	EW-P23MF-02301
3Pin	EW-P23MF-03301

此产品芯数接受定制 The number of poles can be customized

安装说明 Installation Instruction



Male & Female Self-Locking Connector Series 公母对插系列