

Product Specification

Product Class: LED LENS

Item No: **DK-173-148x67-TPIII-M-H-12H1-5050**


Material: PC (UV)

Certification: RoHS

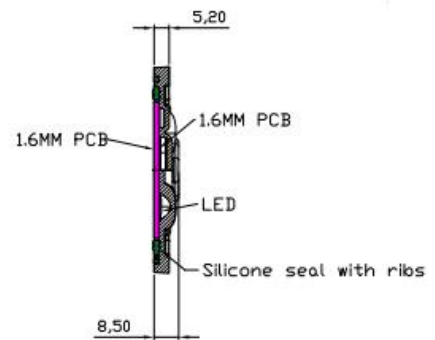
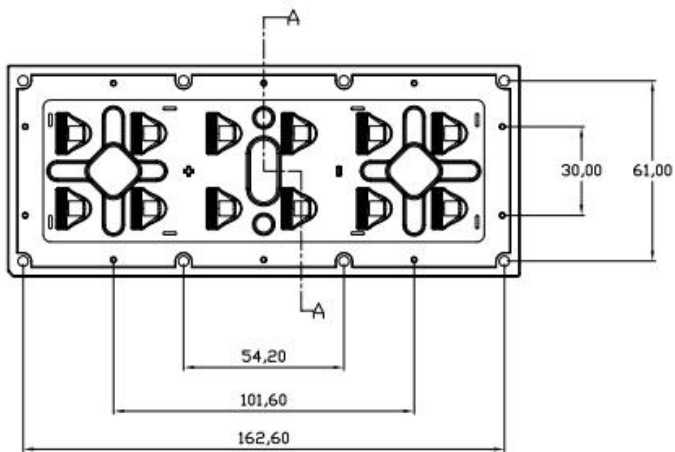
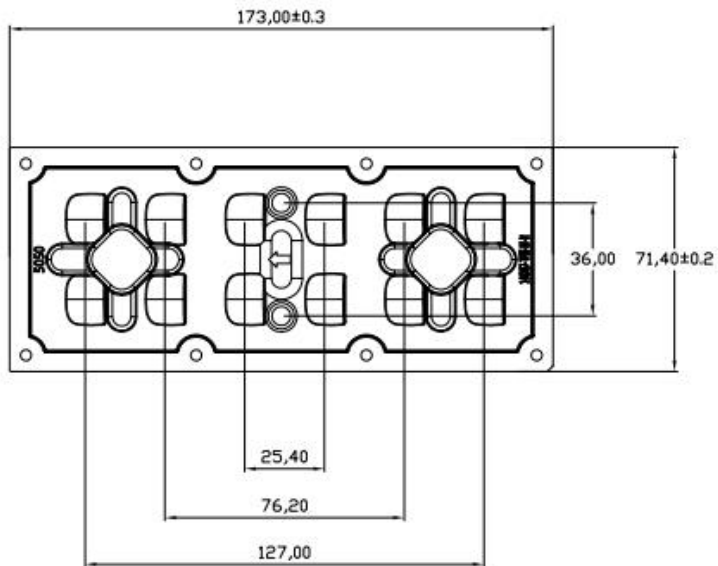
Content

Specification-----	3
2D Drawing-----	4
Optical Datasheet-----	5
Packing-----	6
Application Notes-----	7

Specification

Item No	Picture	Size	Matched LED	Lighting Application
DK-173-148x67-TPIII-M-H-12H1-5050		Diameter: 173*71.4mm Height:8.5mm FWHM:148X67°	5050	Streetlight

Drawing



Optical Test Report

产品特征

灯具制造厂商:
电压: 22.0 V
功率: 10.16 W

电流: 0.462 A
功率因数: 1.000

光度结果

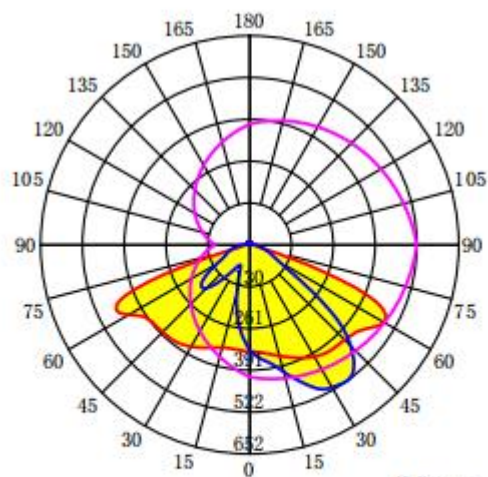
灯具CIE分类: 直接型
灯具光通量: 1457.7 lm
下射光通量比: 96%
水平扩散角(25%, 50%, 75%, 100%): H146, H141.8, H137.5, H125
垂直扩散角(25%, 50%, 75%, 100%): V125, V108.1, V56.4, V35
灯具光效等级(LER): 143.53
峰值光强: 522.02 cd
S/MH(C0/C180): 1.78

额定光通量: 1457.7 lm
灯具效率: 100%
上射光通量比: 4%
中心光强: 333.7 cd
峰值光强位置: H90 V35
S/MH(C90/C270): 1.52

灯具实物照片



配光曲线

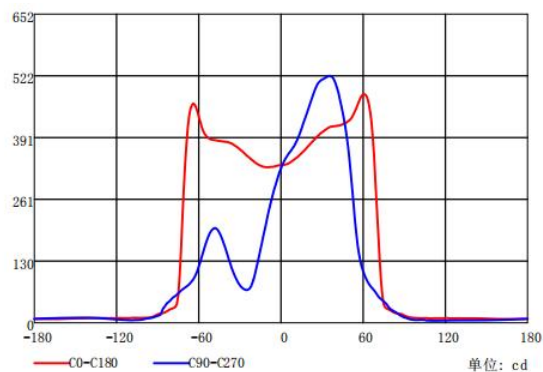
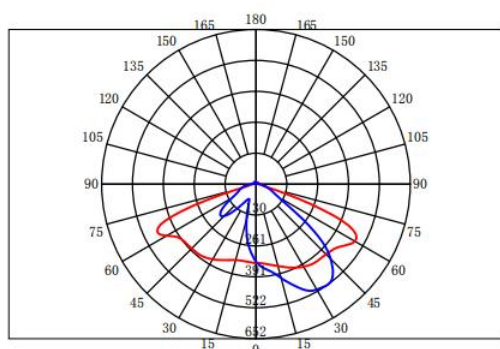


单位: cd

平均光束角(50%): 100.6°

— C0-C180 — C90-C270 — G35

配光曲线



单位: cd

Packing

Material	Size	Packing Instruction
EPE	430*380 mm	150PCS/Outer Box
Plastic bag	200*85 mm	
White Paperboard	430*380 mm	
White Paper	435*390 mm	
Outer Box	440*390*255 mm	

Application Notes

- (1) Please use a little water and soft fabric (air-laid paper) to clean the product if necessary.
- (2) Forbid to use industrial solvent to clean the product, such as alcohol.
- (3) The working temperature is $-35^{\circ}\text{C}\sim+120^{\circ}\text{C}$.
- (4) Storage environment temperature is $0^{\circ}\text{C}\sim40^{\circ}\text{C}$, humidity is 30%~95%.
- (5) The product has the function to change the ray of light, it is made of optical material, the effect shall be influenced once pollute. Please do not open the packing before use it, to avoid the dust pollution.
- (6) Protect the product from the sun and other ultraviolet ray, as these will lead to aging, change color, crack, etc.
- (7) Please wear gloves once install the product, avoid to abrasion the product surface.
- (8) Forbid to use acidic or alkaline solution touch the product, avoid to generate the chemical reactions.