

## Product Specification

Product Class: LED Lens

Item No: **DK-5050-150X80-TPII-S-4H1**

Material: PC(UV)

Certification: RoHS

Sut Up:PeiShan Wu

Check:Xiaohui Liang

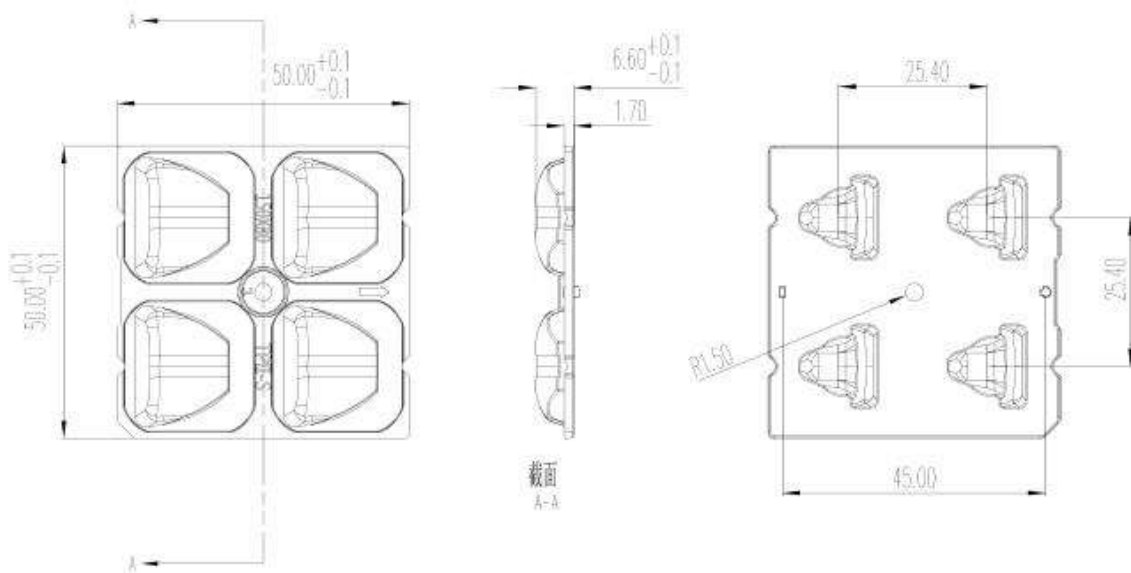
## Content

Specification-----	3
2D Drawing-----	4
Optical Datasheet-----	5
Packing-----	6
Application Notes-----	7

## Specification

Item No	Picture	Size	Matched LED	Lighting Application
DK-5050-150X80-TPII-S-4H1		Diamete: 50*50mm Height:6.6mm FWHM:150X80°	3535	street lamp

## Drawing



# Optical Test Report

## 产品特征

灯具制造商:  
 电压: 11.0 V  
 功率: 1.43 W

电流: 0.131 A  
 功率因数: 1.000

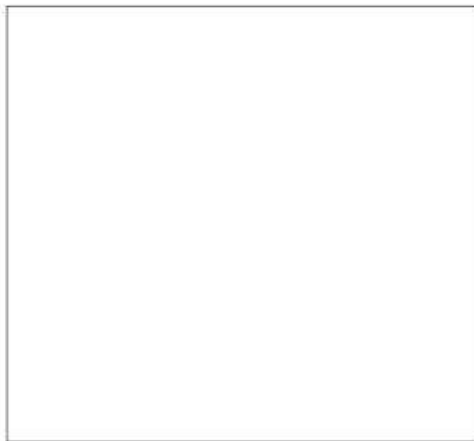
## 光度结果

灯具CIE分类: 直接型  
 灯具光通量: 283.6 lm  
 下射光通量比: 98%  
 水平扩散角(50%): H149.1  
 垂直扩散角(50%): V61.3  
 灯具光效等级(LER): 198.35  
 峰值光强: 137.72 cd  
 S/MH(C0/C180): 1.75

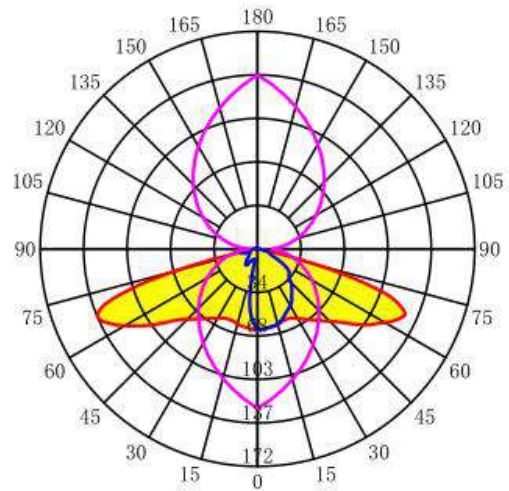
额定光通量: 283.6 lm  
 灯具效率: 100%  
 上射光通量比: 2%

中心光强: 63.67 cd  
 峰值光强位置: H180 V67  
 S/MH(C90/C270): 0.53

灯具实物照片



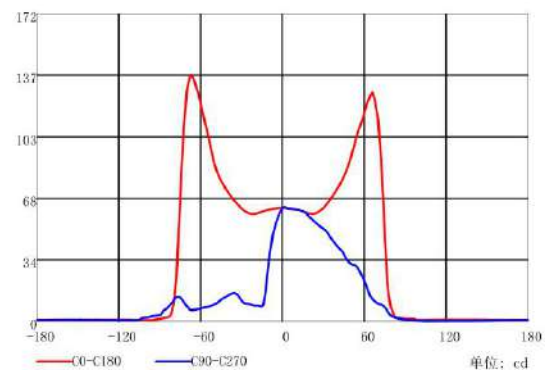
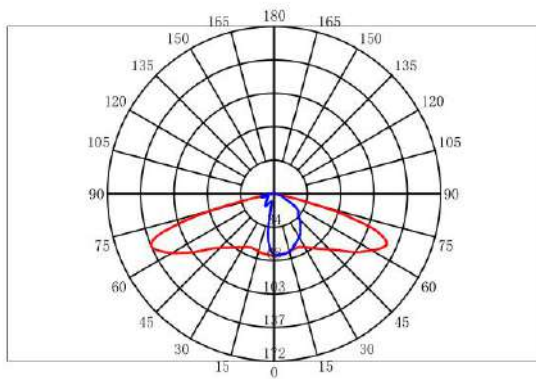
配光曲线



平均光束角(50%): 105.0°

— C0-C180 — C90-C270 — G67

配光曲线



## Packing

Material	Size	Packing Instruction
Antistatic blister box	4W	20PCS/a layer
Box	335*245*105mm	280PCS/Box
Outer box	510*330*255mm	1120PCS/Outer box

## Application Notes

(1) Please use a little water and soft fabric (air-laid paper) to clean the lens & reflector if necessary.

(2) Forbid to use industrial solvent to clean the lens, such as alcohol.

(3) The working temperature is  $-40^{\circ}\text{C}\sim+80^{\circ}\text{C}$ .

(4) Storage environment temperature is  $0^{\circ}\text{C}\sim40^{\circ}\text{C}$ , humidity is 30%~95%。

Optic Lens has the function to change the ray of light, it is made of optical material, the effect shall be influenced once pollute. Please do not open the packing before use it, to avoid the dust pollution.

(5) Protect the product from the sun and other ultraviolet ray, as these will lead to aging, change color, crack, etc.

(6) Please ware gloves once install the lens, avoid to abrasion the lens surface.

(7) Forbid to use acidic or alkaline solution touch the product, avoid to generate the chemical reactions.