



规格承认书  
APPROVAL SHEET

客户名称 CUSTOMERS:			
日期 DATE:	2019-12-06		
产品名称 PRODUCT:	二极陶瓷气体放电管		
物料代号 PART NO:	Customer:	版本	2019. A
	LianFa: 2R-1000-B6-T52 (印字 2R-1000)	REV:	

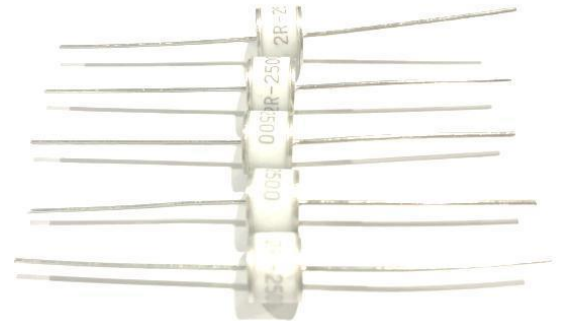
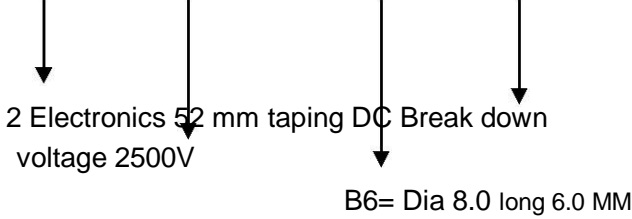
客户承认签印 CUSTOMER APPROVED BY	核准 APPROVE	审核 REVIEWED	承办 RESPONSIBLE
	叶佳钰	张良正	李凌

APPROVED NO:	ECN:
MODEL:	
CUSTOMER P/N:	



# 1. Part Number Code

**2R - 1000 - B6 - T52**



# 2. Size:φ 8×6

Voltage:70~800 V

Maximum Impulse Discharge Current(8/20μs): 10、5(KA)

Altemating Discharge Current: 10、6(A)

General application:  
⇒For Telecom

Condition	Products
CPE-Side Tip-Ring Signal Wire	Splitter
CO-Side Tip-Ring Signal Wire	XDSL、 Splitter
Wireless	Antenna
General	(ITU-T)Other In Customer

For Power System

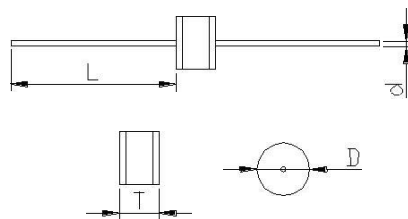
Condition	Products
Out-Side Power Line	Solar Power Plate、 HID-Lights、 LED-Lights
Other	Projector



### 3. Specification

Model Name	DC Breakdown Voltage (V)	Maximum Impulse Breakdown Voltage (V)		Maximum Impulse Discharge Current (8/20 μs) (KA)		Normal Alternating Discharge Current(A)		Impulse Life (10/1000μs) (100A)	DC Holdover Voltage (V)	Minimum Insulation Resistance (GΩ)	Maximum Capacitance (pf)
		100V/μs	100V/μs	1000V/μs	1 time	10 times	50Hz, 1sec				
2R-070	70 ±20%	500	600	15	10	5	65	500	52	10	1.5
2R-075	75 ±20%	500	600						52	10	1.5
2R-090	90 ±20%	500	600						52	10	1.5
2R-120	120 ±15%	500	700						52	10	1.5
2R-130	130 ±15%	500	700						52	10	1.5
2R-150	150 ±15%	500	700						52	10	1.5
2R-230	230 ±15%	500	700						80	10	1.5
2R-250	250 ±15%	500	700						80	10	1.5
2R-300	300 ±15%	700	900						150	10	1.5
2R-350	350 ±15%	700	900						150	10	1.5
2R-400	400 ±15%	800	1000						150	10	1.5
2R-470	470 ±15%	900	1100						150	10	1.5
2R-600	600 ±15%	1100	1300						10	5	5
2R-800	800 ±20%	1300	1500	150	10	1.5					
2R-1000	1000 ±20%	1600	1800	8	5	5	10	100	150	10	1.5
2R-1200	1200 ±20%	1800	2000						150	10	1.5
2R-1400	1400 ±20%	2200	2400						150	10	1.5
2R-1600	1600 ±20%	2400	2600						150	10	1.5
2R-2000	2000 ±20%	2800	3000	5	3	3	5	100	150	10	1.5
2R-2500	2500 ±20%	3300	3500						150	10	1.5
2R-3000	3000 ±20%	4300	4500	5	3	2.5	5	100	150	10	1.5
2R-3500	3500 ±20%	4500	4800						150	10	1.5
2R-3600	3600 ±20%	4800	5000						150	10	1.5

### 4. Outline Drawing



Item	Dimensions
D	8.0 + 0.3,-0.5
T	6.0 + 0.3,-0.5
d	0.8 ±0.05
L	20min.



## 5. Electrical Rating

Item	Test Condition / Description	Requirement
DC Breakdown Voltage	The voltage is measured with a low rate of rise $dv / dt \approx 100 \text{ v/s}$	
Maximum Impulse Breakdown Voltage	The maximum impulse breakdown voltage is measured with a rise time of $dv / dt \approx 1000 \text{ v/}\mu\text{s}$	
Maximum Impulse Discharge Current	<p>The maximum current within gas tube voltage change of <math>\pm 20\%</math> when one impulse is applied. Applied waveform : <math>8/20 \mu \text{ sec}</math></p>	To meet the specified value
DC Holdover Voltage	The maximum DC voltage across the two terminals of gas tube under which it may be expected to return to the high impedance state after the gas tube breakdown.	
Insulation Resistance	The resistance of gas tube shall be measured each terminal to each other terminal.	
	Applied voltage: gas tube dc breakdown voltage under 150V, the test voltage is 50V dc; with all other types at 100V dc.	
Capacitance	The capacitance of gas tube shall be measured each terminal to each other terminal. Test frequency : 1 KHZ	
	In measurements involving 3-electrode gas tubes ,the terminal not being tested shall be connected to a ground plane.	

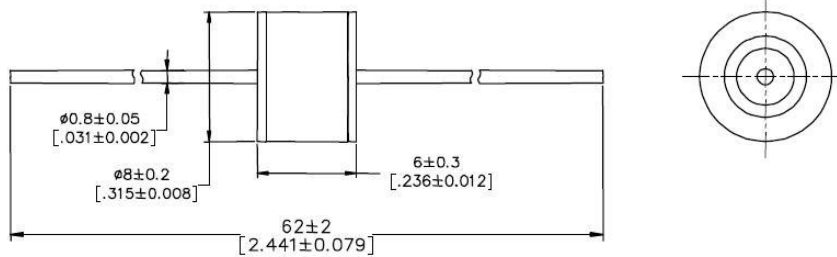


## 5. Packing

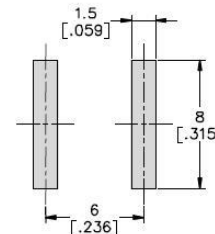
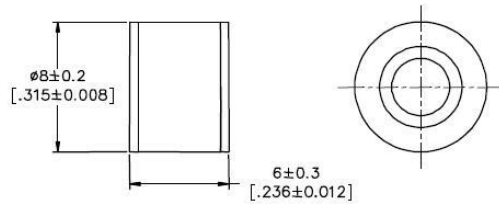
### Gas Discharge Tubes(GDT)

#### Dimensions (Unit: mm/inch)

##### DIP Series



##### SMD Series

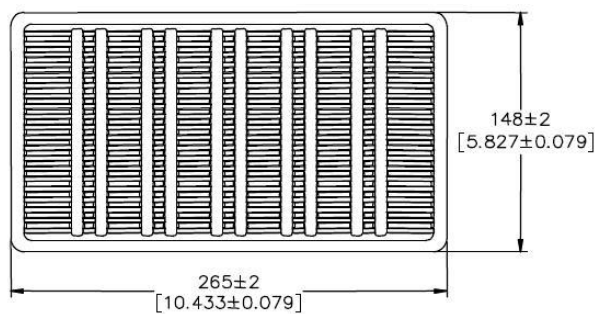


Recommended Soldering Pad Layout

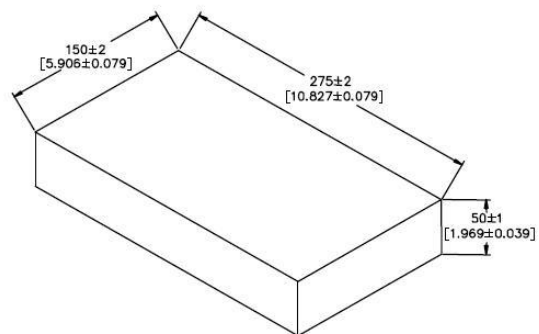
#### Packaging Information (Unit: mm/inch)

##### Axial Packaging (Bulk)

##### Plastic Tray



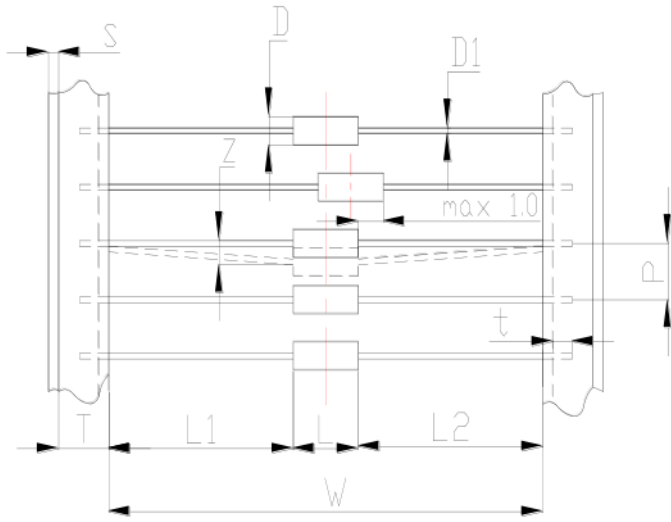
##### Inner box



##### Packaging Quantity:

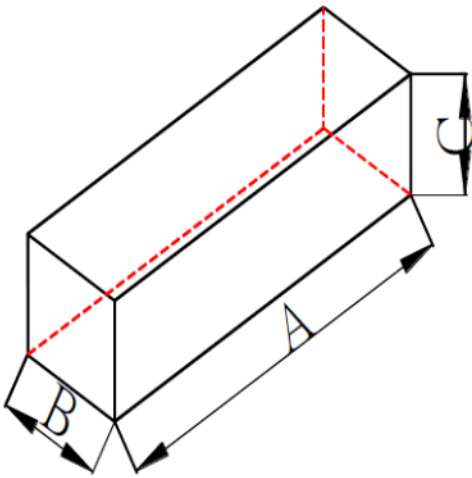
- 100 PCS per Plastic Tray
- 5 Plastic Trays per inner box
- 500 PCS per inner box

## 六.包裝(Taping)



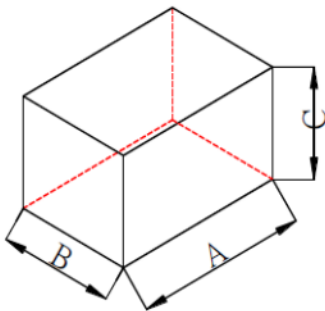
符號 MARK	尺寸 (Dimension)
W	$52+2.0,-1.0$
P	$10.00\pm 0.5$
T	$6.0\pm 1.0$
Z	$1.2 \text{ max}$
L1-L2	$0.8 \text{ max}$
S	$0.8 \text{ max}$
t	$3.2 \text{ max}$
L	$6.0\pm 1.0$
D1	$\Phi 0.8\pm 0.05$
D	$\Phi 8.0\pm 0.3$

(1) 內盒裝(Inner box):



項目 Item	容 量 Description
長 Length	$A=255\text{mm}$
寬 Width	$B=75\text{mm}$
高 Height	$C=68\text{mm}$
數量 Q'ty	250PCS
表示 Label	製品型號,製造LOT NO. Indicate Part No.&Lot No.
包裝 Package	內盒包裝有上,下墊紙板 There are upper and bottom 用來保護製品不受損害 protect the parts from damage

(2) 外盒裝(Carton):

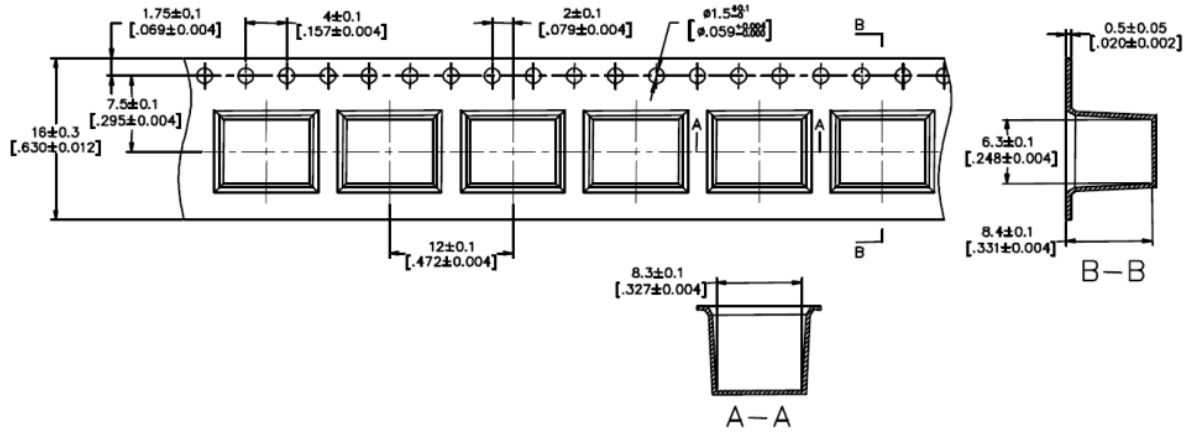


項目 Item	容 量 Description
長 Length	$A=390\text{mm}$
寬 Width	$B=270\text{mm}$
高 Height	$C=290\text{mm}$
數量 Q'ty	5000PCS

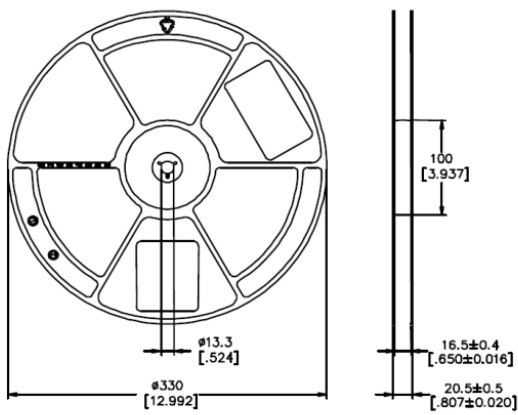
# Gas Discharge Tubes(GDT)

## SMD Packaging (Tape & Reel)

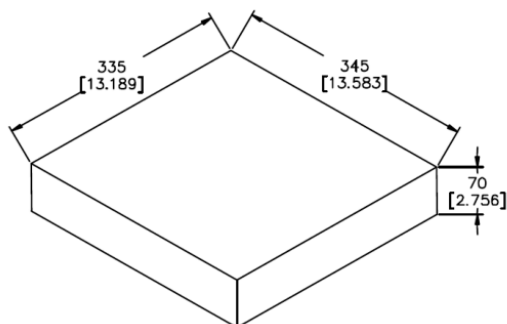
### Tape



### Reel



### Inner box



### Packaging Quantity:

500 PCS per reel (13")

3 reels per inner box

1,500 PCS per inner box