

Product datasheet

DK-5050-60-LENS-4H1-B



Contents

Product datasheet	1
Contents	2
Part number explanation	3
General information	4
Photometric data (Simulated).....	5
Dimension	6
Packing information	7



General information

❖ Features

- High efficiency
- Uniform light spot
- No-need lens holder

❖ Applications

- Stadium light、 Flood light

❖ Material information


- Lens material: PC(UV)
- The working temperature is: $-35^{\circ}\text{C}\sim+120^{\circ}\text{C}$
- Storage environment temperature is $0^{\circ}\text{C}\sim40^{\circ}\text{C}$, humidity is 30%~95%

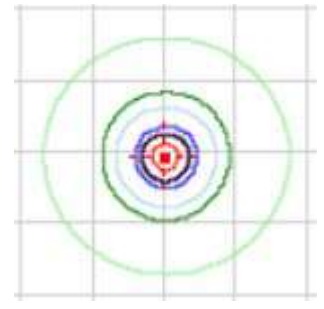
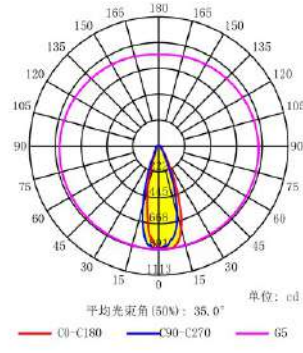
❖ Application Notes

- Please use a litter water and soft fabric (air-laid paper) to clean the lens if necessary.
- Forbid to use industrial solvent to clean the lens, such as alcohol.
- Optic Lens has the function to change the ray of light, it is made of optical material, the effect shall be influenced once pollute. Please do not open the packing before use it, to avoid the dust pollution.
- Protect the product from the sun and other ultraviolet ray, as these will lead to aging, change color, crack, etc.
- Please ware gloves once install the lens, avoid to abrasion the lens surface.
- Forbid to use acidic or alkaline solution touch the product, avoid to generate the chemical reactions.



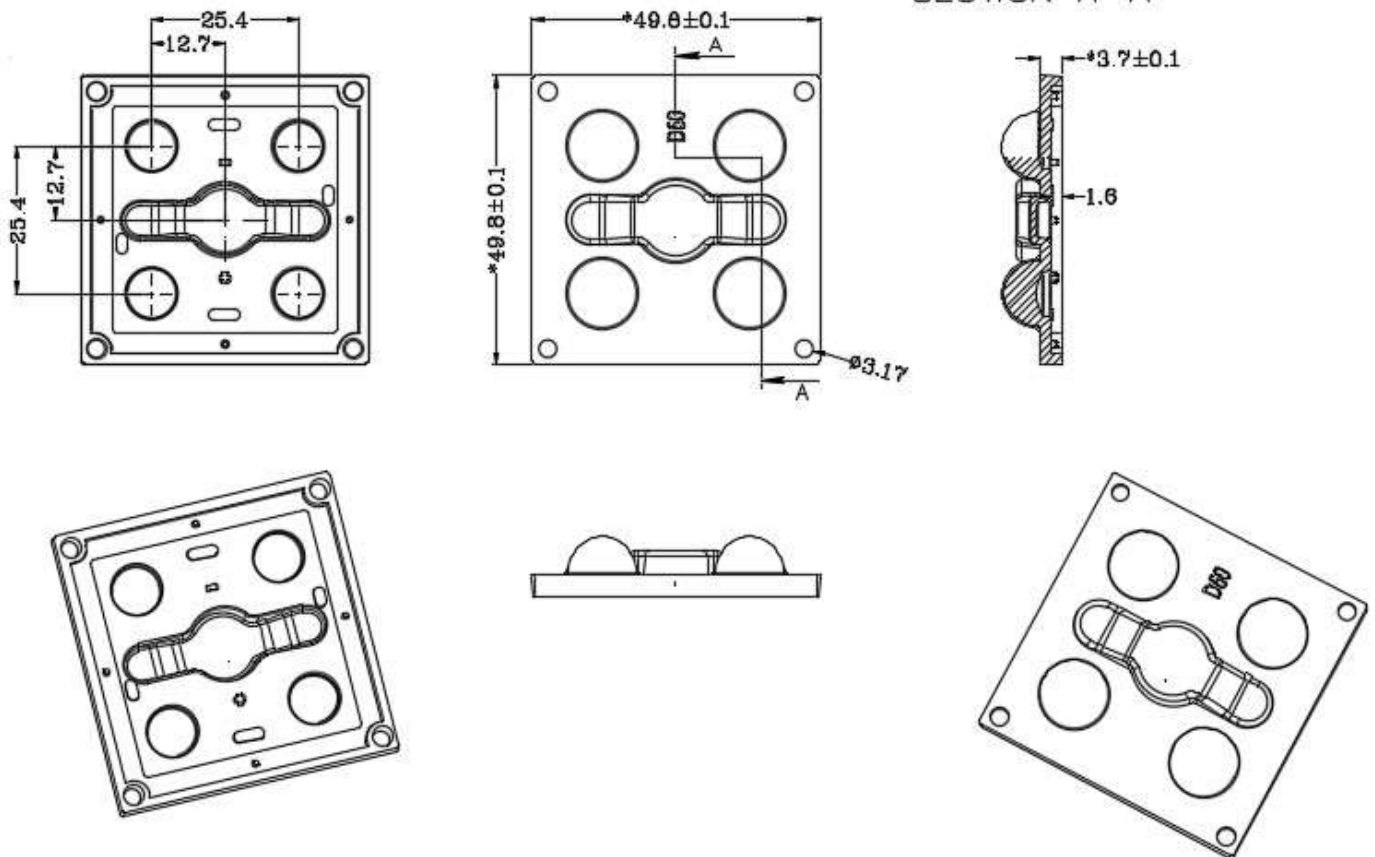
Photometric data (Simulated)

Picture	Item No	Angle	Matched LED
	<p>DK-5050-60-LENS-4H1-B</p>	<p>60°</p>	<p>5050</p>
<p>Photometric data (Simulated)</p>			



Dimension

- 1、 Installation method: Screw
- 2、 Lens dimension



Packing information

Item No	Material	Size	Quantity
DK-5050-60-LENS-4H1-B	BOX	320*245*115MM	PCS
	Carton	510*330*255MM	PCS

