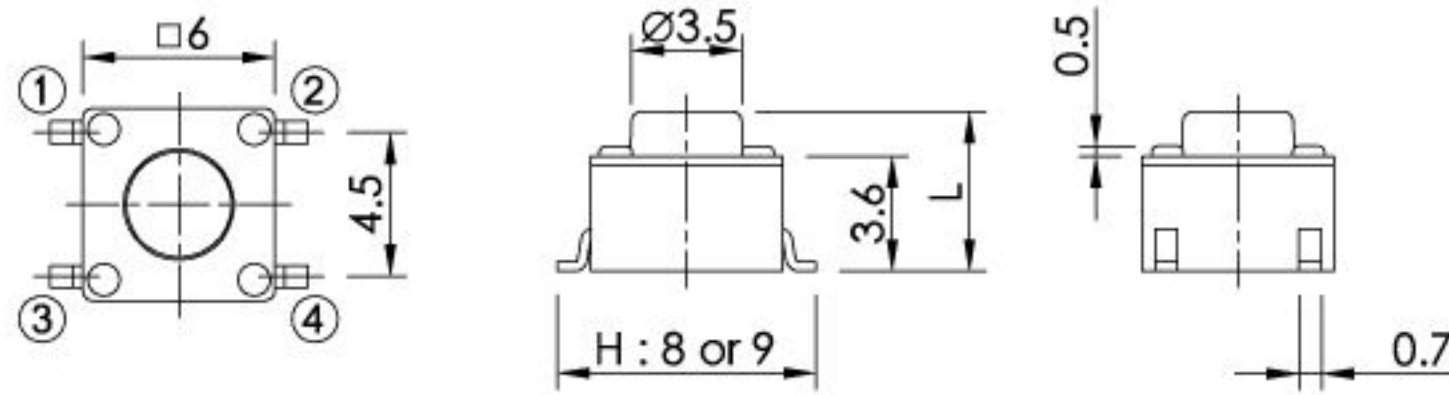


## IT-1102W~1102WA

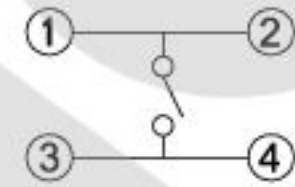


IT-1102WXXX

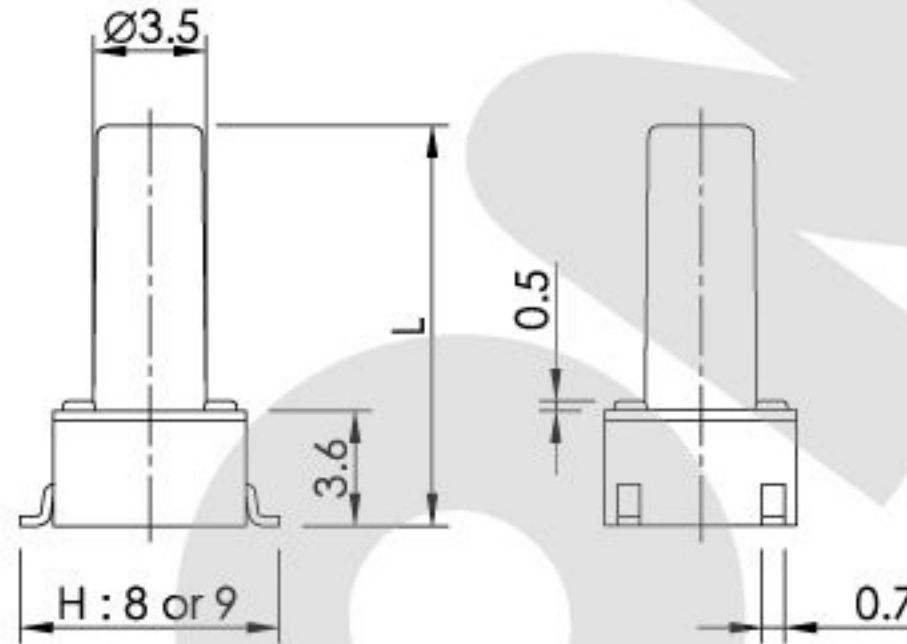
STEM (L)	Packing	Ter' Length (H)
□	4.3	1,000pcs/reel
A	5.0	1,000pcs/reel
R	6.0	700pcs/reel
B	7.0	700pcs/reel
E	7.3 x $\varnothing$ 3.4	700pcs/reel
EL	7.5	700pcs/reel
C	8.0	600pcs/reel
Z	8.5	600pcs/reel
DS	9.0	500pcs/reel
D	9.5	500pcs/reel
DL	10.0	500pcs/reel
Q	11.0	400pcs/reel
F	12.5	250pcs/reel
K	13.0	250pcs/reel
G	13.5	300pcs/reel
J	16.0	
I	17.0	

Rating : 50mA 12V DC.  
 Travel : 0.25±0.15 mm.  
 Contact resistance : 100m $\Omega$  Max.  
 Operating force : 100, 130, 160,  
 250±50g.  
 Life : 100,000 Cycles Min.

CIRCUIT DIAGRAM



## IT-1102WB~1102WE



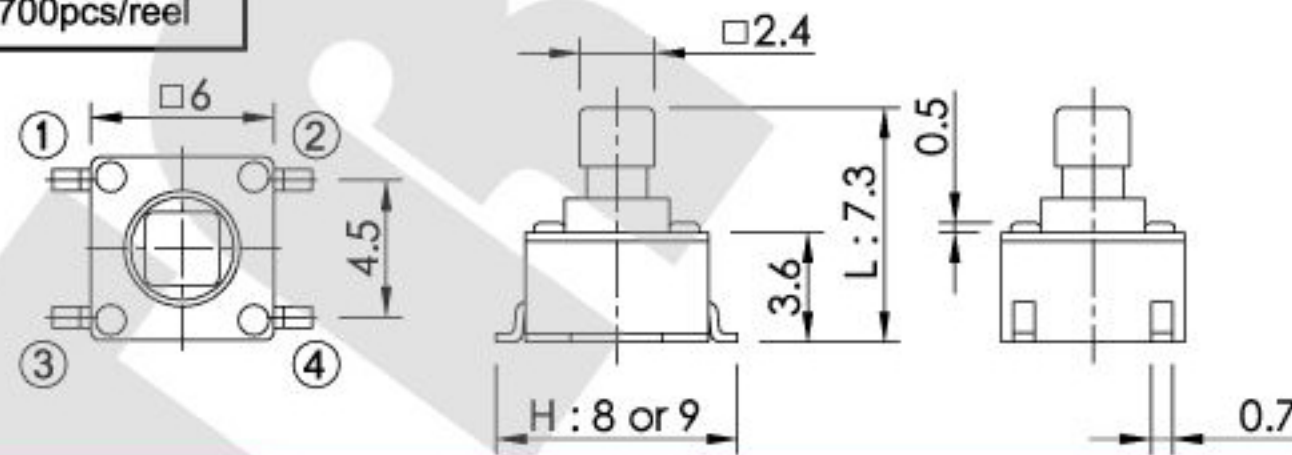
## IT-1102WF~1102WZ



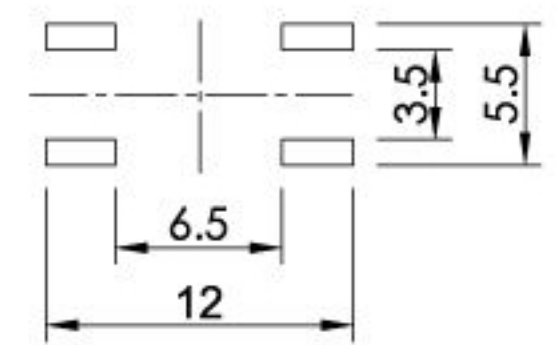
## IT-1102WT



STEM (L)	Packing
T	7.3 x $\square$ 2.4



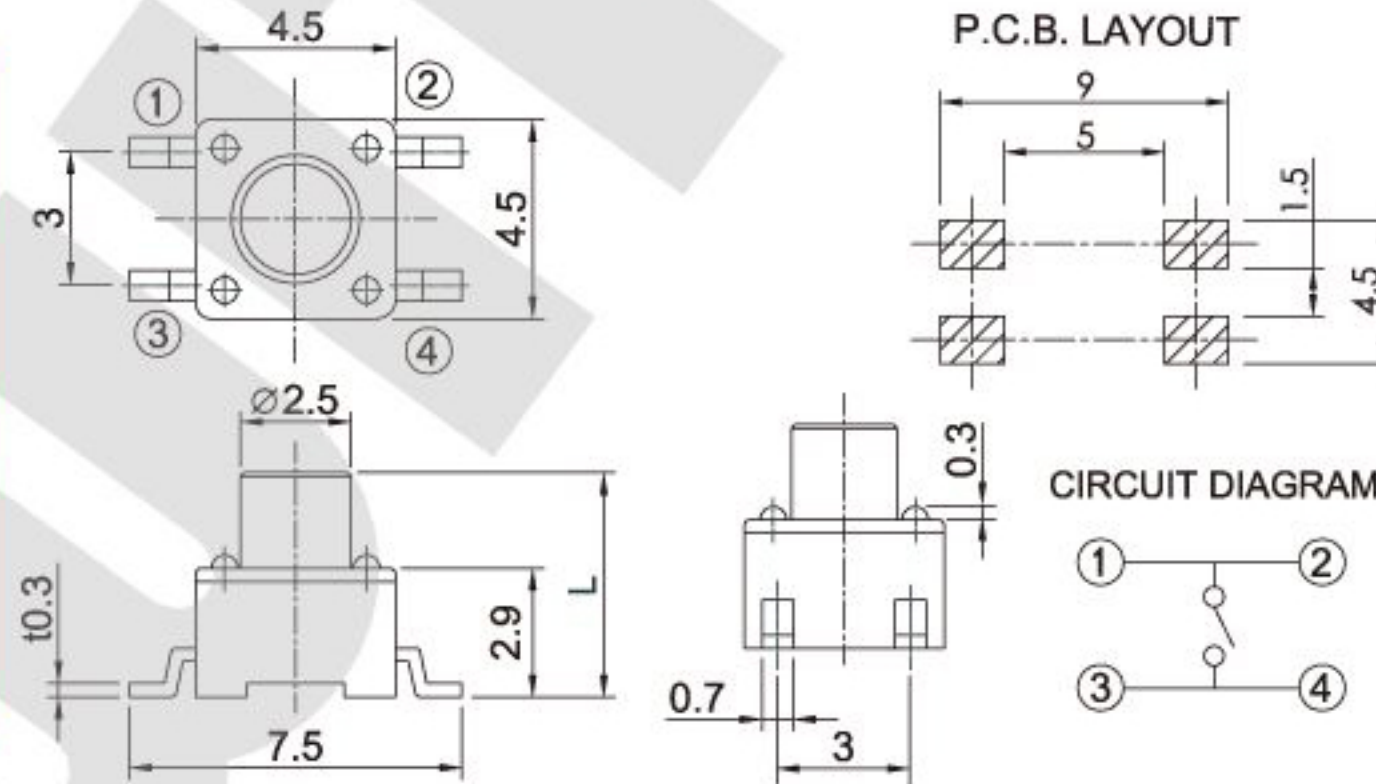
P.C.B. LAYOUT



□4.5

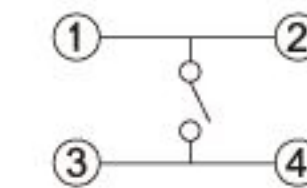


IT-1109S



P.C.B. LAYOUT

CIRCUIT DIAGRAM



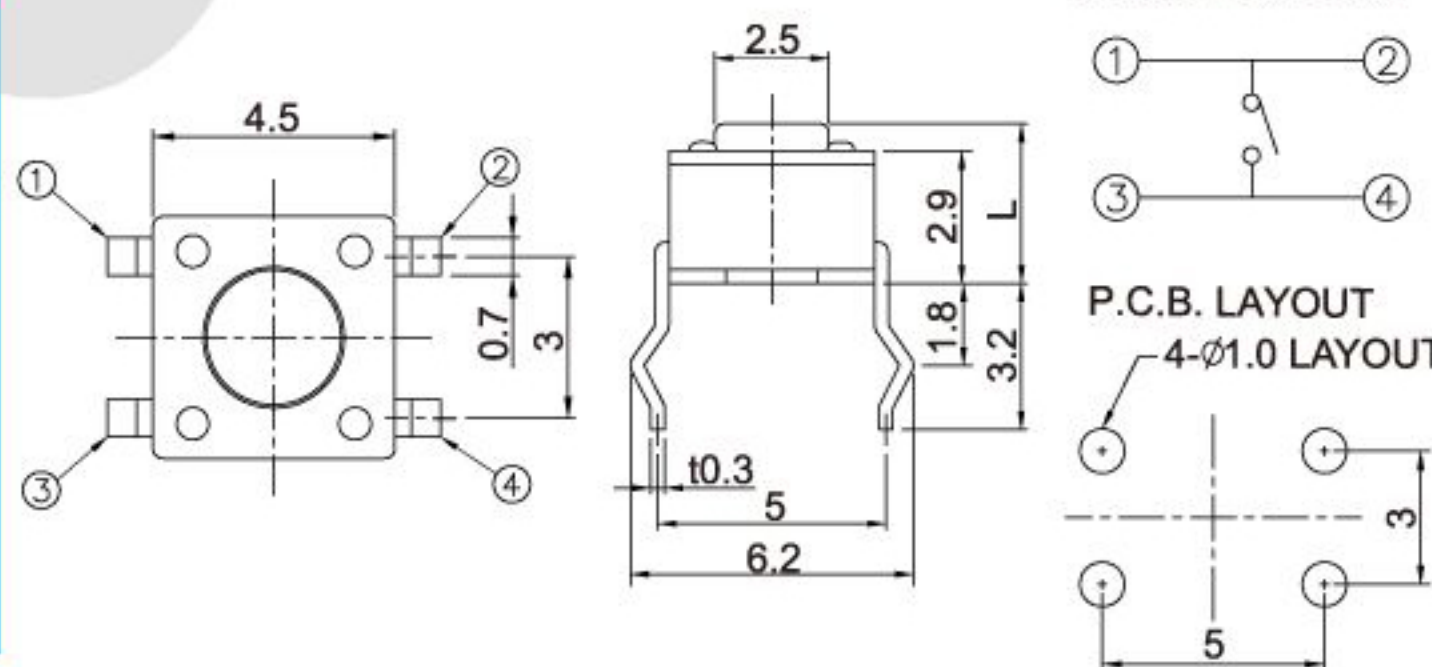
MODEL NO.	STEM(L)
IT-1109S	3.8
IT-1109SA	7.0

Rating : 50mA 12V DC.  
 Travel : 0.25±0.1mm.  
 Contact resistance : 100m $\Omega$  Max.  
 Operating force : 160, 250±50g.  
 Life : 50,000 Cycles Min.  
 Packing : 2,000pcs/reel.

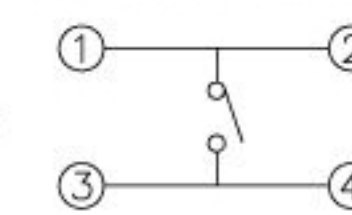
□4.5



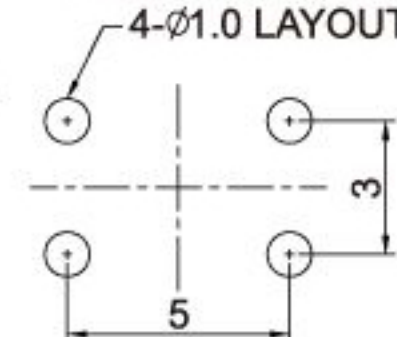
IT-1109



CIRCUIT DIAGRAM



P.C.B. LAYOUT



MODEL NO.	STEM(L)
IT-1109	3.8
IT-1109A	7.0

Rating : 50mA 12V DC.  
 Travel : 0.25±0.1mm.  
 Contact resistance : 100m $\Omega$  Max.  
 Operating force : 160±30g,  
 250±50g.  
 Life : 160g : 50,000 Cycles Min.  
 250g, 500g : 30,000 Cycles Min.