

06,07 Series Tact Switches (SMD, Taping, Tape & Reel optional)

SPECIFICATION

Rating : 50mA 12V DC.
 Insulation resistance : >100MΩ 250V DC.
 Withstand voltage : 250V AC for 1 minute.
 Contact resistance : <100mΩ.
 Soldering temperature : 240°C Max. for 3 Sec.

Mechanical life : 100,000 Cycles.
 Electrical life : 100,000 Cycles.
 Ambient temperature : -25°C ~ +70°C.
 Ambient humidity : <85% RH.
 Operating force : 130, 160, 250±50g.

0643~0660



MODEL NO.	L
0643	4.3
0650	5.0
0660	6.0

0670~0695

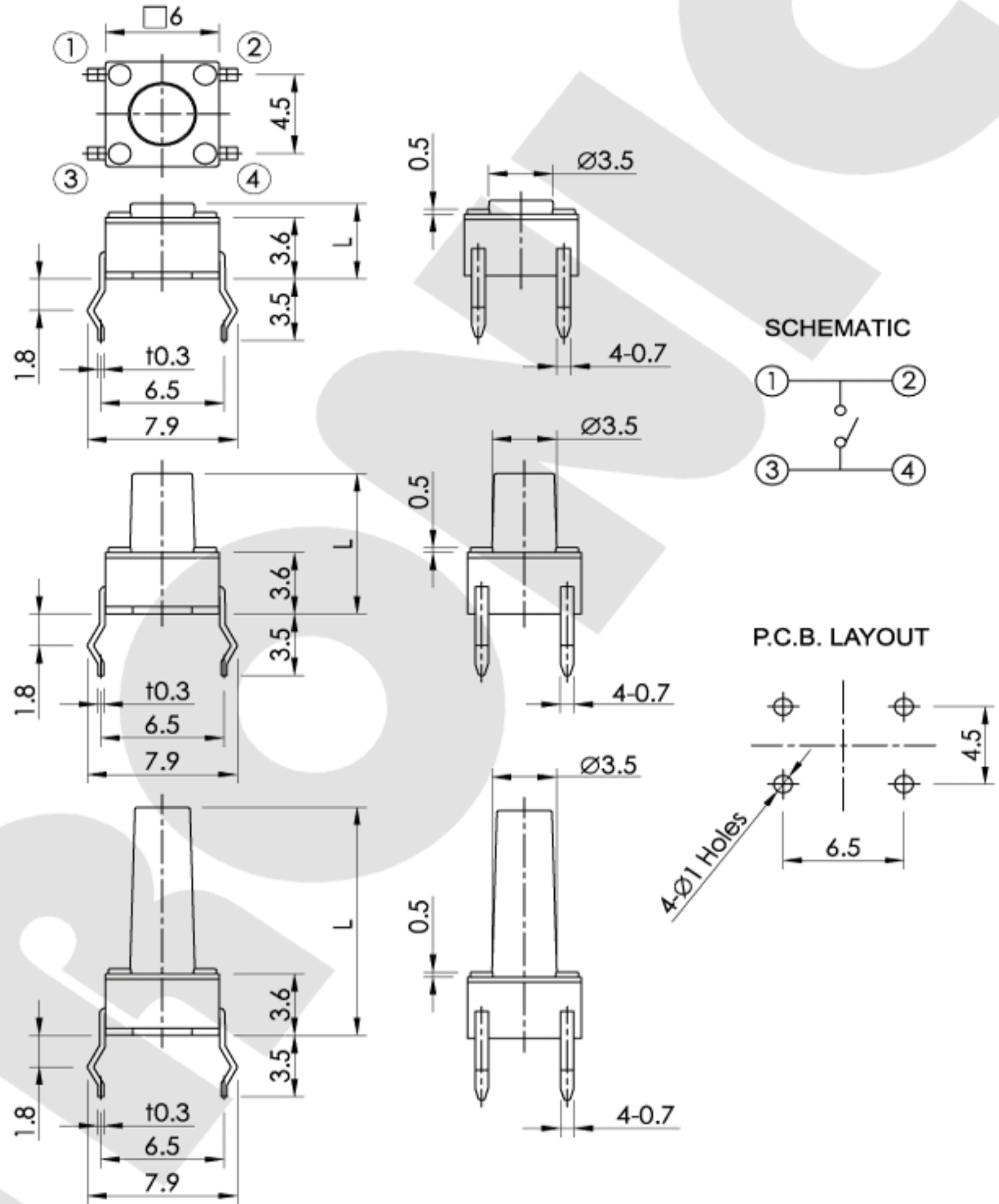


MODEL NO.	L
0670	7.0
0680	8.0
0690	9.0
0695	9.5

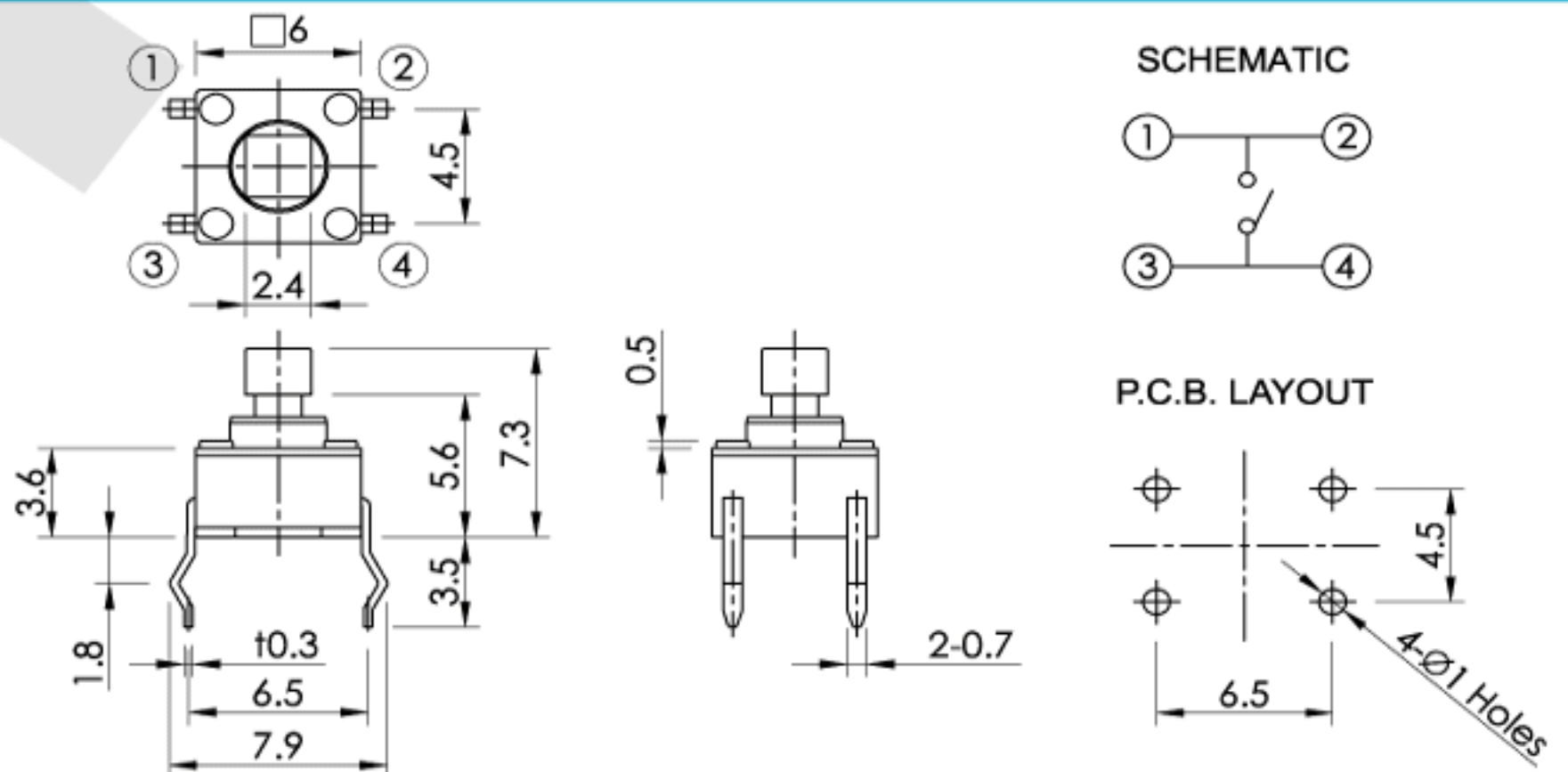
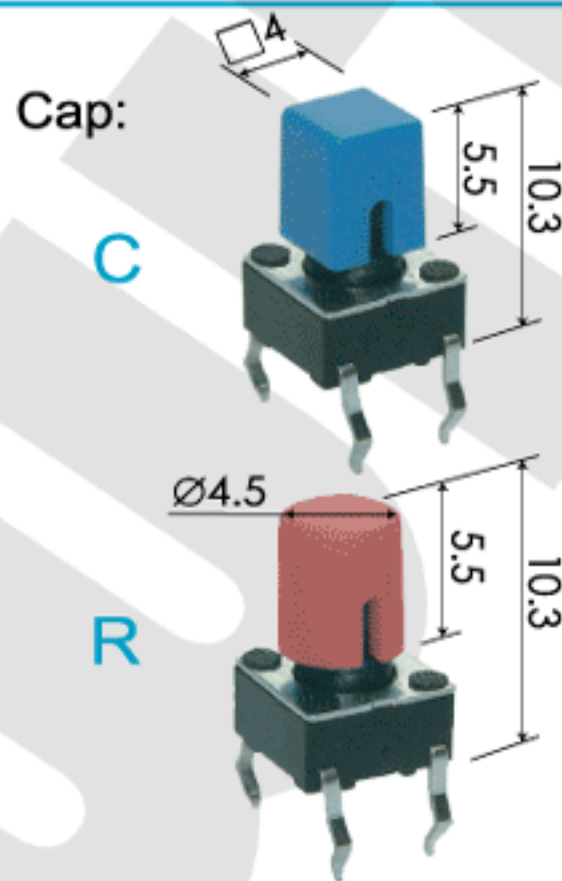
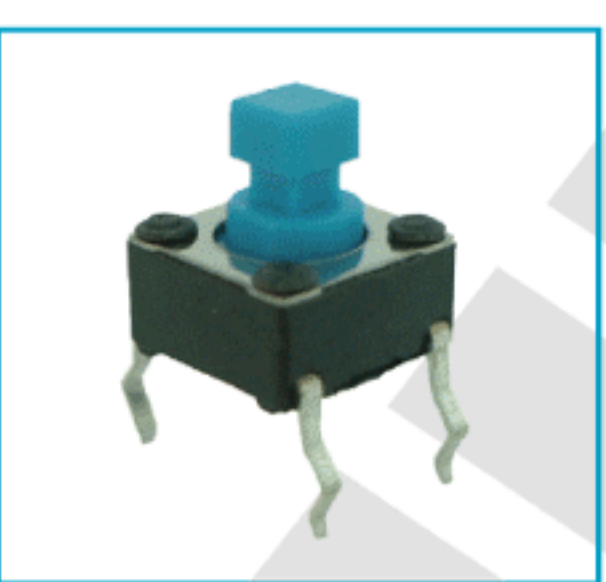
0611~0621



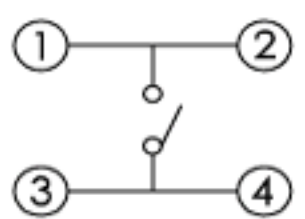
MODEL NO.	L
0611	11.0
0612	12.0
06125	12.5
0613	13.0
06135	13.5
0614	14.0
0615	15.0
0616	16.0
0617	17.0
0621	21.0



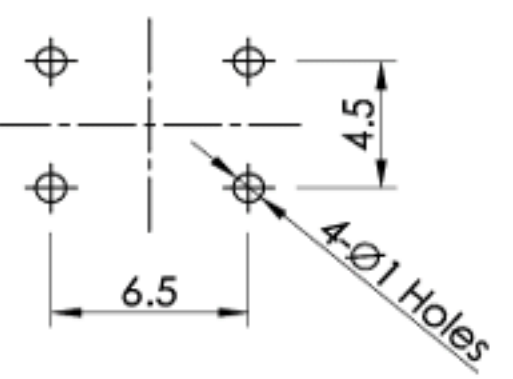
0673



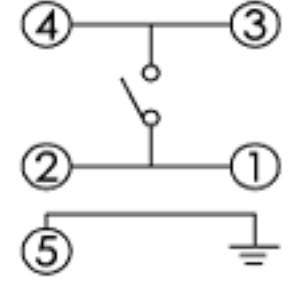
SCHEMATIC



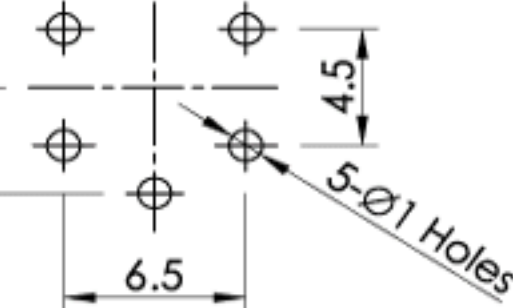
P.C.B. LAYOUT



SCHEMATIC



P.C.B. LAYOUT



0643G 0650G (Grounding)



MODEL NO.	L
0643G	4.3
0650G	5.0

