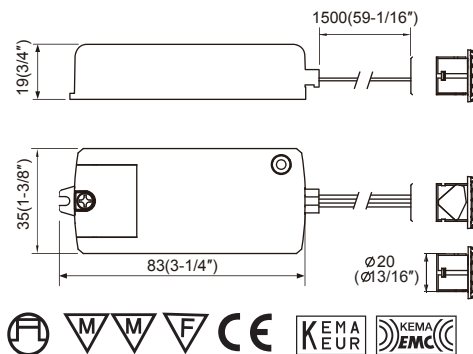




Dimensions: (mm/inches)



Features

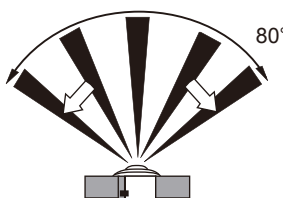
- Human-body detection sensor
- Detection range: Max. 2.5m(98-7/16")
- Detection angle: 80°
- Detection time: 10sec~3min
- KEMA approved

Plug into the socket

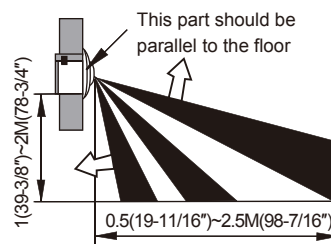


Installation

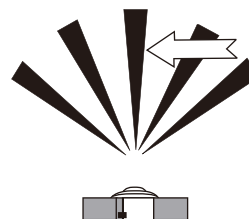
TOP VIEW



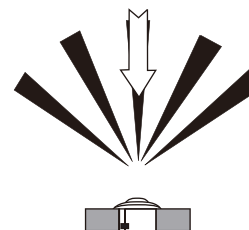
SIDE VIEW



GOOD SENSITIVITY



POOR SENSITIVITY



Characteristics

Model No.	Rated input voltage	Rated output voltage	Rated current	LED Driver Rated load	L x W x H
SHE-B-250	AC100-240V	AC100-240V	Max.1A	100VA(AC 100V) 240VA(AC 240V)	83x35x19mm (3-1/4"x1-3/8"x3/4")

